

Effective 1 September, 2008

30 Plus Years Experience. Leading Brands. More Choice.

# TRS CATALOGUE



SALES  
HOTLINE



**0508 899 899**

or visit our website [www.trstyreandwheel.co.nz](http://www.trstyreandwheel.co.nz)



## » Meet the TRS Sales Team



Dave Newland  
General Manager



Andrew Gillam  
Sales and Marketing  
Manager



Chris Malcolm  
Sales Manager



Michael Moffitt  
Auckland Branch  
Manager



Rene Whinwray  
South Island Branch  
Manager



Mark Prentice  
South Island Sales



Alan Reynolds  
OEM Sales



Arthur Sharrock  
Industrial Sales



Shane Whibley



Steve Atkins



Col Priddle



Jamie TeRangi



Robbie Walker



Jenna Coskerie

## » Contents

**Agricultural Tractor Tyres**

1

**Agricultural Implement Product**

14

**Turf tyres**

23

**Truck / MPT Tyres**

28

**Industrial machinery and Tractor tyres**

31

**ATV Tyres**

37

**Forklift Tyres**

40

**Tubes**

48

**Sice Tyre Changers**

52

**Dual Wheels**

54

**Wheels**

57

**General Information**

64

# Radial Ply Tractor Tyres 50 And 65 Series

Wide Profile

These tyres are the ultimate in comfort, flotation and durability. In many instances these tyres can be used to replace narrower options without the need to change rims.

SIZE	CODE	BRAND	STYLE	LOAD/SPEED	RRP EX GST
340/65R18	01013	MICHELIN	XM108	113A8	\$928.00
420/65R20	01030	MICHELIN	XM108	125A8	\$1,311.00
420/65R24	01089	MICHELIN	XM108	126A8	\$1,343.00
440/65R24	01095	KLEBER	SUPER 11	128A8	\$1,543.00
	01096	MICHELIN	MULTIBIB	128D	\$1,717.00
480/65R24	01097	ALLIANCE	A360	127A8	\$1,561.00
	01099	MICHELIN	MULTIBIB	133D	\$1,933.00
540/65R24	01104	MICHELIN	MULTIBIB	140D	\$2,569.00
540/65R26	01110	MICHELIN	XM108	141A8	\$2,533.00
750/65R26	01453	MICHELIN	MEGAXBIB	166B	\$6,250.00
440/65R28	01155	KLEBER	SUPER 11	131A8	\$1,862.00
	01156	MICHELIN	MULTIBIB	131D	\$2,101.00
480/65R28	01157	ALLIANCE	A360	129A8	\$1,671.00
	01160	TAURUS	POINT 65	129A8	\$1,671.00
	01159	MICHELIN	MULTIBIB	136D	\$2,201.00
540/65R28	01501	BKT	RT657	149D	\$1,717.00
	01167	ALLIANCE	A360	142A8	\$1,805.00
	01171	TAURUS	POINT 65	137A8	\$2,065.00
	01170	MICHELIN	MULTIBIB	142D	\$2,928.00
600/65R28	01172	ALLIANCE	A360	147A8	\$2,545.00
	01175	KLEBER	SUPER 15	147A8	\$4,027.00
	01176	MICHELIN	XM28	147A8	\$4,227.00
540/65R30	01202	ALLIANCE	A360	150D	\$2,504.00
	01203	MICHELIN	MULTIBIB	143D	\$3,440.00
800/65R32	01223	ALLIANCE	A360	173A8	\$5,181.00
(30.5LR32)	01225	ALLIANCE	A360	173A8	\$5,181.00
	01226	MICHELIN	MEGAXBIB	172A8	\$8,526.00
900/60R32	01456	MICHELIN	MEGAXBIB	176A8	\$7,747.00
540/65R34	01252	MICHELIN	MULTIBIB	145D	\$3,678.00
600/65R34	01254	MICHELIN	MULTIBIB	151D	\$4,130.00
540/65R38	01313	MICHELIN	MULTIBIB	147D	\$3,804.00
600/65R38	01317	ALLIANCE	A360	147A8	\$2,976.00
	01320	TAURUS	POINT 65	147A8	\$3,263.00
	01319	MICHELIN	MULTIBIB	153D	\$4,659.00
650/65R38	01500	BKT	RT657	163D	\$3,688.00
	01321	ALLIANCE	A360	154A8	\$4,002.00
	01323	MICHELIN	MULTIBIB	157D	\$5,928.00
650/65R42	01350	ALLIANCE	A360	158A8	\$4,462.00
	01351	MICHELIN	MULTIBIB	158D	\$6,264.00
900/50R42	01405	MICHELIN	MACHXBIB	168A8	\$8,132.00



Michelin MegaXbib



Alliance A360



Taurus Point 65



Michelin MultiBib

Agricultural Tractor Tyres

All prices exclude GST and are recommended retail prices only. TRS reserve the right to change prices without prior notice. Please confirm prices prior to quoting.



# Radial Ply Tractor Tyres 70 and 75 series

Wide Profile

70 and 75 series tyres are an ideal replacement for older standard size tyres. Advantages of converting to a 70 or 75 series radial tyre include:

- » Immediate adaptability – will fit standard rims
- » Increased traction
- » Reduced ground pressure
- » Higher load capacity
- » Long life
- » Increased operator comfort

SIZE	CODE	BRAND	STYLE	LOAD/SPEED	RRP EX GST
200/70R16	01003	GOODYEAR	DT812	94A8	\$554.00
210/80R16	01004	TAURUS	MINI RADIAL	94A8	\$528.00
240/70R16	01525	BKT	RT765	104A8/B	\$574.00
260/70R16	01512	BKT	RT765	109A8/B	\$459.00
	01007	KLEBER	FITKER	109A8	\$554.00
280/70R16	01513	BKT	RT765	112A8/B	\$486.00
	01008	KLEBER	SUP8L	112A8	\$565.00
260/70R18	01010	KLEBER	SUP8L	111A8	\$633.00
280/70R18	01452	ALLIANCE	A370	114A8/111B	\$593.00
	01011	KLEBER	SUP8L	114A8	\$668.00
280/70R20	01514	BKT	RT765	116A8/B	\$598.00
	01022	KLEBER	FITKER	116A8	\$731.00
300/70R20	01480	ALLIANCE	A370	120A8	\$712.00
	01023	KLEBER	SUP8L	119A8	\$812.00
320/70R20	01515	BKT	RT765	123A8/B	\$702.00
	01026	TAURUS	POINT 7	113A8	\$811.00
	01025	KLEBER	SUP8L	123A8	\$877.00
360/70R20	01516	BKT	RT765	129A8/B	\$857.00
	01029	TAURUS	POINT 7	120A8	\$978.00
375/70R20	24004	CONTINENTAL	AC70G	136G	\$1,237.00
380/70R20	01517	BKT	RT765	132A8/B	\$920.00
400/70R20	01488	MICHELIN	XMCL	149A8	\$1,823.00
405/70R20	24025	ALLIANCE	A570	136G	\$1,113.00
	24026	CONTINENTAL	AC70G	136G	\$1,325.00
	24027	MICHELIN	XM47	136G	\$1,861.00
425/75R20	24030	CONTINENTAL	AC70G	148G	\$1,858.00
	24031	MICHELIN	XM47	148G	\$2,272.00
320/70R24	01076	ALLIANCE	A370	116A8	\$852.00
	01079	TAURUS	POINT 70	116A8	\$945.00
	01077	KLEBER	FITKER	116A8	\$1,037.00
360/70R24	01498	BKT	RT765	122A8	\$921.00
	01080	ALLIANCE	A370	122A8	\$974.00
	01083	TAURUS	POINT 70	122A8	\$1,068.00
	01416	KLEBER	FITKER	122A8	\$1,172.00
380/70R24	01499	BKT	RT765	125A8	\$1,052.00
	01084	ALLIANCE	A370	125A8	\$1,124.00
	01088	TAURUS	POINT 70	125A8	\$1,156.00
	01417	KLEBER	FITKER	125A8	\$1,275.00
420/70R24	01459	BKT	RT765	130A8	\$1,217.00
	01090	ALLIANCE	A370	130A8	\$1,273.00
	01094	TAURUS	POINT 70	130A8	\$1,423.00
	01418	KLEBER	FITKER	130A8	\$1,601.00
445/70R24	24037	ALLIANCE	A570	151G	\$2,224.00
	24038	MICHELIN	XM47	151G	\$3,066.00
460/70R24	01505	MICHELIN	XMCL	159B	\$2,782.00
480/70R24	01460	BKT	RT765	138A8	\$1,634.00
	01101	ALLIANCE	A370	138A8	\$1,694.00
	01102	KLEBER	FITKER	138A8	\$2,077.00
495/70R24	24039	ALLIANCE	A570	155G	\$2,473.00
	24041	MICHELIN	XM47	155G	\$3,596.00



Kleber Fitker



Taurus Point 70



Michelin XM47

Agricultural Tractor Tyres

SIZE	CODE	BRAND	STYLE	LOAD/SPEED	RRP EX GST
500/70R24	01489	MICHELIN	XMCL	164B	\$2,904.00
620/70R26	1402	MICHELIN	XM27	153A8	\$4,471.00
620/75R26	31020	MICHELIN	MEGAXBIB	166B	\$5,003.00
320/70R28	01143	TAURUS	POINT 7	119A8	\$1,030.00
360/70R28	01494	BKT	RT765	125A8	\$1,047.00
	01145	TAURUS	POINT 70	125A8	\$1,132.00
	01144	KLEBER	FITKER	125A8	\$1,684.00
380/70R28	01462	BKT	RT765	127A8	\$1,157.00
	01146	ALLIANCE	A370	127A8	\$1,199.00
	01149	TAURUS	POINT 7	127A8	\$1,239.00
	01419	KLEBER	FITKER	127A8	\$1,386.00
420/70R28	01463	BKT	RT765	133A8	\$1,275.00
	01150	ALLIANCE	A370	133A8	\$1,322.00
	01154	TAURUS	POINT 70	133A8	\$1,424.00
	01412	KLEBER	FITKER	133A8	\$1,645.00
480/70R28	01163	MITAS	RDO2	140A8	\$1,456.00
	01464	BKT	RT765	140A8	\$1,456.00
	01161	ALLIANCE	A370	140A8	\$1,537.00
	01165	TAURUS	POINT 70	140A8	\$1,658.00
	01413	KLEBER	FITKER	140A8	\$2,144.00
600/70R28	01484	KLEBER	TOPKER	157B	\$4,592.00
420/70R30	01195	KLEBER	FITKER	134A8	\$2,760.00
480/70R30	01466	BKT	RT765	141A8	\$1,678.00
	01198	ALLIANCE	A370	141A8	\$1,721.00
	01201	TAURUS	POINT 70	141A8	\$1,947.00
	01199	KLEBER	FITKER	141A8	\$2,185.00
495/70R30	24042	CONTINENTAL	AC70G	155G	\$2,585.00
600/70R30	01439	MICHELIN	MACHXBIB	152A8	\$4,204.00
650/75R32 (24.5R32)	01222	ALLIANCE	A360	159A8	\$3,863.00
480/70R34	01468	BKT	RT765	143A8	\$1,911.00
	01244	ALLIANCE	A370	143A8	\$1,979.00
	01247	TAURUS	POINT 70	143A8	\$2,169.00
	01414	KLEBER	FITKER	143A8	\$2,404.00
520/70R34	01469	BKT	RT765	148A8	\$2,164.00
	01248	ALLIANCE	A370	148A8	\$2,284.00
	01251	TAURUS	POINT 70	148A8	\$2,740.00
	01415	KLEBER	FITKER	148A8	\$3,085.00
480/70R38	01473	BKT	RT765	145A8	\$1,934.00
	01302	ALLIANCE	A370	145A8	\$2,005.00
	01306	TAURUS	POINT 70	145A8	\$2,413.00
	01303	KLEBER	FITKER	145A8	\$2,658.00
520/70R38	01474	BKT	RT765	150A8	\$2,387.00
	01307	ALLIANCE	A370	150A8	\$2,474.00
	01312	TAURUS	POINT 70	150A8	\$3,034.00
	01309	KLEBER	FITKER	150A8	\$3,466.00
580/70R38	01314	ALLIANCE	A370	155A8	\$3,415.00
	01316	TAURUS	POINT 70	155A8	\$3,965.00
	01315	KLEBER	FITKER	155A8	\$4,513.00
710/70R38	01326	ALLIANCE	A360	172A8	\$5,436.00
	01329	MICHELIN	XM28	166A8	\$7,798.00
800/70R38	01475	MICHELIN	MACHXBIB	173A8	\$7,815.00
620/70R42	01504	MICHELIN	XM28	160B	\$6,444.00
710/70R42	01352	MICHELIN	XM28	173B	\$8,195.00
620/70R46	01493	MICHELIN	XM28	162B	\$7,469.00



**Alliance A370**



**BKT RT765**

# Taurus Point 70

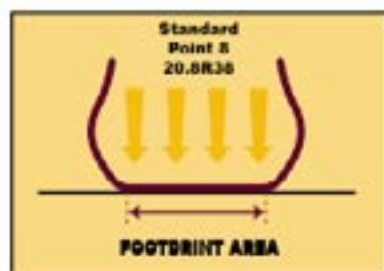
## Robust and wide

**NEW**



### The advantages of a wide tyre... for working in the fields

- Improved traction on wet ground accompanied by excellent self-cleaning.
- Reduced rutting for better soil protection.



### Extra robust... for farm work

- Greater load capacity than standard tyres.

<b>20.8 R 38</b>	<b>POINT 8</b>	<b>153 A8 (3650 Kg)</b>
<b>580/70 R 38</b>	<b>POINT 70</b>	<b>155 A8 (3875 Kg)</b>

- Wear shape significantly improved compared with the Point 7.
- High resistance to separation due to a new rubber compound.



**Taurus Point 70,**  
The ideal tyre for your  
mid-powered tractor.\*

\* (70 to 180hp)



# TAURUS

# Radial Ply Tractor Tyres

Standard Profile

SIZE	METRIC MARKING	CODE	BRAND	STYLE	LOAD/SPEED	RRP EX GST
11R16		01002	MICHELIN	XM27	122A8	\$899.00
750R16		01001	KLEBER	SUPER VIGNE	100A8	\$541.00
750R20		01015	KLEBER	SUPER VIGNE	104A8	\$633.00
9.5R20		01016	KLEBER	SUPER VIGNE	108A8	\$645.00
11.2R20		01521	BKT	AGRIMAX RT855	112A8/B	\$672.00
		01018	TAURUS	POINT 8	111A8	\$720.00
		01017	KLEBER	SUPER VIGNE	111A8	\$769.00
12.4R20	320/85R20	01019	KLEBER	TRAKER	119A8	\$926.00
14.9R20		01020	KLEBER	SUPER G	119A8	\$1,611.00
9.5R24	250/85R24	01428	ALLIANCE	A350	107A8	\$651.00
		01036	KLEBER	TRAKER	109A8	\$726.00
		01037	MICHELIN	AGRIBIB	107A8	\$794.00
11.2R24	280/85R24	01457	BKT	AGRIMAX RT855	115A8	\$618.00
		01039	ALLIANCE	A356	114A8	\$646.00
		01044	TAURUS	POINT 8	114A8	\$727.00
		01041	KLEBER	TRAKER	115A8	\$912.00
		01042	MICHELIN	AGRIBIB	114A8	\$957.00
12.4R24	320/85R24	01444	BKT	AGRIMAX RT855	122A8	\$718.00
		01045	ALLIANCE	A356	119A8	\$767.00
		01051	TAURUS	POINT 8	119A8	\$826.00
		01047	KLEBER	TRAKER	122A8	\$980.00
		01048	MICHELIN	AGRIBIB	119A8	\$1,019.00
13.6R24	340/85R24	01445	BKT	AGRIMAX RT855	125A8	\$887.00
		01052	ALLIANCE	A356	121A8	\$947.00
		01057	TAURUS	POINT 8	121A8	\$995.00
		01053	KLEBER	TRAKER	125A8	\$1,118.00
		01054	MICHELIN	AGRIBIB	121A8	\$1,173.00
14.9R24	380/85R24	01446	BKT	AGRIMAX RT855	131A8	\$938.00
		01058	ALLIANCE	A356	126A8	\$1,003.00
		01060	KLEBER	TRAKER	131A8	\$1,286.00
		01061	MICHELIN	AGRIBIB	126A8	\$1,349.00
16.9R24	420/85R24	01458	BKT	AGRIMAX RT855		\$1,380.00
		01066	ALLIANCE	A356	134A8	\$1,495.00
		01070	TAURUS	POINT 8	134A8	\$1,495.00
		01067	KLEBER	TRAKER	137A8	\$1,717.00
		01068	MICHELIN	AGRIBIB	134A8	\$1,793.00
	440/80R24	01069	MICHELIN	XMCL	161B	\$2,571.00
17.5R24		01071	ALLIANCE	A570	150A8	\$2,028.00
	460/70R24	01505	MICHELIN	XMCL	159A8	\$2,782.00
19.5R24	500/70R24	01489	MICHELIN	XMCL	164A8	\$2,904.00
14.9R26		01105	KLEBER	TRAKER	127A8	\$1,434.00
18.4R26		01107	ALLIANCE	A356	140A8	\$1,528.00
9.5R28	250/85R28	01113	KLEBER	TRAKER	112A8	\$877.00
11.2R28	280/85R28	01461	BKT	AGRIMAX RT855	118A8	\$820.00
		01429	ALLIANCE	A356	116A8	\$856.00
		01121	TAURUS	POINT 8	116A8	\$873.00
		01117	KLEBER	TRAKER	118A8	\$1,019.00
		01119	MICHELIN	AGRIBIB	116A8	\$1,193.00
12.4R28	320/85R28	01447	BKT	AGRIMAX RT855	124A8	\$871.00
		01122	ALLIANCE	A356	121A8	\$902.00
		01126	TAURUS	POINT 8	121A8	\$945.00
		01123	KLEBER	TRAKER	124A8	\$1,072.00
		01124	MICHELIN	AGRIBIB	121A8	\$1,173.00
13.6R28	340/85R28	01441	BKT	AGRIMAX RT855	127A8	\$995.00
		01127	ALLIANCE	A356	123A8	\$1,063.00
		01131	TAURUS	POINT 8	123A8	\$1,110.00
		01128	KLEBER	TRAKER	127A8	\$1,193.00
		01129	MICHELIN	AGRIBIB	123A8	\$1,274.00
14.9R28	380/85R28	01448	BKT	AGRIMAX RT855	133A8	\$1,104.00
		01132	ALLIANCE	A356	128A8	\$1,144.00
		01136	TAURUS	POINT 8	128A8	\$1,262.00
		01133	KLEBER	TRAKER	133A8	\$1,358.00
		01134	MICHELIN	AGRIBIB	128A8	\$1,748.00
16.9R28	420/85R28	01449	BKT	AGRIMAX RT855	139A8	\$1,325.00
		01137	ALLIANCE	A356	136A8	\$1,385.00
		01142	TAURUS	POINT 8	136A8	\$1,437.00
		01138	KLEBER	TRAKER	139A8	\$1,829.00
		01139	MICHELIN	AGRIBIB	136A8	\$1,969.00



Alliance A350



BKT Agrimax RT-855



Kleber Traker

All prices exclude GST and are recommended retail prices only. TRS reserve the right to change prices without prior notice. Please confirm prices prior to quoting.

SIZE	METRIC MARKING	CODE	BRAND	STYLE	LOAD/SPEED	RRP EX GST
14.9R30	380/85R30	01523	BKT	AGRIMAX RT855	135A8/B	\$1,502.00
		01179	ALLIANCE	A356	129A8	\$1,528.00
		01183	TAURUS	POINT 8	129A8	\$1,528.00
		01180	KLEBER	TRAKER	135A8	\$1,731.00
		01181	MICHELIN	AGRIBIB	134A8	\$1,878.00
16.9R30	420/85R30	01440	BKT	AGRIMAX RT855	140A8	\$1,343.00
		01184	ALLIANCE	A356	137A8	\$1,433.00
		01179A	ALLIANCE	A385 HIGH SPEED	140A8/137D	\$1,515.00
		01189	TAURUS	POINT 8	137A8	\$1,543.00
		01185	KLEBER	TRAKER	140A8	\$1,849.00
		01186A	MICHELIN	AGRIBIB	137A8/134B	\$2,459.00
18.4R30	420/90R30	01186	MICHELIN	AGRIBIB	147A8/147B	\$2,789.00
	460/85R30	01465	BKT	AGRIMAX RT855	145A8	\$1,742.00
		01190	ALLIANCE	A356	142A8	\$1,805.00
		01192	KLEBER	TRAKER	148A8	\$2,289.00
		01193	MICHELIN	AGRIBIB	142A8	\$2,422.00
8.3R32	210/95R32	01206	KLEBER	SUPER 3	124A2	\$1,018.00
9.5R32	230/95R32	01207	ALLIANCE	A350	128A8	\$1,057.00
		01211	TAURUS	RC95	139A2	\$1,057.00
		01209	KLEBER	SUPER 3	139A2	\$1,119.00
11.2R32	270/95R32	01502	BKT	RT955	132B	\$1,213.00
		01212	ALLIANCE	A350	132A8	\$1,359.00
		01215	TAURUS	RC95	146A2	\$1,359.00
		01213	KLEBER	SUPER 3	146A2	\$1,465.00
				01467	BKT	RT855
12.4R32	320/85R32	01217	ALLIANCE	A356	122A8	\$1,171.00
		01221	TAURUS	POINT 8	122A8	\$1,171.00
		01218	KLEBER	TRAKER	126A8	\$1,278.00
		01219	MICHELIN	AGRIBIB	122A8	\$1,397.00
				01222	ALLIANCE	A360
24.5R32	650/75R32	01222	ALLIANCE	A360	167A8	\$5,180.00
30.5R32	800/65R32	01223	ALLIANCE	A360	167A8	\$5,180.00
11.2R34	290/95R34	01242	MICHELIN	AGRIBIB	131B	\$2,084.00
12.4R34	320/85R34	01243	MICHELIN	AGRIBIB	143B	\$2,092.00
14.9R34	380/85R34	01229	MICHELIN	AGRIBIB	137A8	\$2,391.00
16.9R34	420/85R34	01442	BKT	AGRIMAX RT855	142A8	\$1,722.00
		01230	ALLIANCE	A356	139A8	\$1,784.00
		01235	TAURUS	POINT 8	139A8	\$1,784.00
		01231	KLEBER	TRAKER	142A8	\$2,010.00
		01232	MICHELIN	AGRIBIB	139A8	\$2,080.00
				01450	BKT	AGRIMAX RT855
18.4R34	460/85R34	01236	ALLIANCE	A356	144A8	\$1,853.00
		01241	TAURUS	POINT 8	144A8	\$1,973.00
		01237	KLEBER	TRAKER	147A8	\$2,369.00
		01238	MICHELIN	AGRIBIB	144A8	\$2,510.00
				01256	ALLIANCE	A350
8.3R36	210/95R36	01256	ALLIANCE	A350	118A8	\$1,034.00
9.5R36	230/95R36	01258	KLEBER	SUPER 3	141A2	\$1,436.00
11.2R36	270/95R36	01261	ALLIANCE	A350	136A8	\$1,386.00
12.4R36	320/85R36	01470	BKT	AGRIMAX RT855	128A8	\$1,278.00
		01264	ALLIANCE	A356	124A8	\$1,324.00
		01267	TAURUS	RC95	124A8	\$1,324.00
		01265	KLEBER	TRAKER	128A8	\$1,564.00
		01266	MICHELIN	AGRIBIB	124A8	\$1,625.00
				01479	BKT	AGRIMAX RT855
13.6R36	340/85R36	01269	KLEBER	TRAKER	132A8	\$1,858.00
				01300	MICHELIN	AGRIBIB RC
11.2R38	290/90R38	01300	MICHELIN	AGRIBIB RC	138A8	\$2,124.00
	270/95R38	03032A	ALLIANCE	A350	124A8	\$1,234.00
			01272	KLEBER	SUPER 3	150A2
12.4R38	320/85R38	01273	MICHELIN	AGRIBIB	125A8	\$1,927.00
		01301	MICHELIN	AGRIBIB RC	143A8	\$2,165.00
13.6R38	340/85R38	01471	BKT	AGRIMAX RT855	133A8	\$1,452.00
		01274	ALLIANCE	A356	128A8	\$1,505.00
		01277	TAURUS	POINT 8	128A8	\$1,505.00
		01275	KLEBER	TRAKER	133A8	\$1,876.00
				01276	MICHELIN	AGRIBIB
14.9R38		01278	ALLIANCE	A356	133A8	\$1,717.00
		01279	MICHELIN	AGRIBIB	133A8	\$2,298.00



**BKT Agrimax RT-955**



**Alliance A356**



**Taurus Point 8**

**Agricultural Tractor Tyres**

All prices exclude GST and are recommended retail prices only. TRS reserve the right to change prices without prior notice. Please confirm prices prior to quoting.

SIZE	METRIC MARKING	CODE	BRAND	STYLE	LOAD/SPEED	RRP EX GST
16.9R38	420/85R38	01443	BKT	AGRIMAX RT855	144A8	\$1,715.00
		01281	ALLIANCE	A356	141A8	\$1,867.00
		01286	TAURUS	POINT 8	141A8	\$2,019.00
		01282	KLEBER	TRAKER	144A8	\$2,571.00
		01283	MICHELIN	AGRIBIB	141A8	\$2,668.00
18.4R38	460/85R38	01451	BKT	AGRIMAX RT855	149A8	\$1,861.00
		01287	ALLIANCE	A356	146A8	\$1,985.00
		01287A	ALLIANCE	A385 HIGH SPEED	149A8/146D	\$2,340.00
		01293	TAURUS	POINT 8	146A8	\$2,232.00
		01289	KLEBER	TRAKER	149A8	\$2,783.00
20.8R38	520/85R38	01290	MICHELIN	AGRIBIB	146A8	\$2,842.00
		01472	BKT	AGRIMAX RT855	155A8	\$2,414.00
		01294	ALLIANCE	A356	153A8	\$2,504.00
		01299	TAURUS	POINT 8	153A8	\$2,897.00
		01295	KLEBER	TRAKER	155A8	\$3,324.00
9.5R40	230/95R40	01296	MICHELIN	AGRIBIB	153A8	\$3,723.00
		01490	MICHELIN	MACHXBIB	173B	\$7,012.00
		01511	ALLIANCE	A350	130A2/119D	\$1,058.00
		01478	ALLIANCE	A350	139A8	\$1,964.00
		01495	BKT	AGRIMAX RT855	151A8	\$2,598.00
11.2R42	270/95R42	01335	ALLIANCE	A356	148A8	\$2,782.00
		01339	MICHELIN	AGRIBIB	151A8	\$4,284.00
		01496	BKT	AGRIMAX RT855	155A8	\$3,072.00
		01341	ALLIANCE	A356	155A8	\$3,312.00
		01346	TAURUS	POINT 8	155A8	\$3,284.00
20.8R42	520/85R42	01454	KLEBER	TRAKER	157A8	\$3,757.00
		01345	MICHELIN	XM25	157A8	\$4,001.00
		01353	ALLIANCE	A350	126A8	\$1,150.00
		01481	ALLIANCE	A350	145A2	\$1,489.00
		01356	KLEBER	SUPER 3	145A2	\$1,505.00
11.2R44	270/95R44	01360	ALLIANCE	A350	151A2	\$1,764.00
		01362	TAURUS	RC95	151A2	\$1,813.00
		01361	KLEBER	SUPER 3	151A2	\$2,044.00
		01363	ALLIANCE	A350	141A8	\$1,965.00
		01518	BKT	AGRIMAX RT955	158A2/144B	\$1,787.00
12.4R46	300/95R46	01400	ALLIANCE	A350	147A8	\$2,301.00
		01367	TAURUS	RC95	159A2	\$2,301.00
		01364	KLEBER	SUPER 3	158A2	\$2,463.00
		01379	MICHELIN	AGRIBIB	148A8	\$2,533.00
		01503	BKT	AGRIMAX RT955	152B	\$2,333.00
13.6R46	340/85R46	01368	ALLIANCE	A350	146A8	\$3,523.00
		01370	TITAN	HIGH TRACTION	142A8	\$2,456.00
		01380	MICHELIN	XM25	147A8	\$2,850.00
		01371	MICHELIN	XM25	151A8	\$3,052.00
		01497	BKT	AGRIMAX RT855	158B	\$2,981.00
14.9R46	380/80R46	01372	ALLIANCE	A356	155A8	\$3,207.00
		01373	MICHELIN	AGRIBIB	155A8	\$3,965.00
		01375	MICHELIN	AGRIBIB	158A8	\$4,410.00
		01519	BKT	AGRIMAX RT955	147A2/136B	\$1,168.00
		01383	TAURUS	RC95	147A2	\$1,551.00
16.9R46	420/80R46	01381	KLEBER	SUPER 3	147A2	\$1,841.00
		01385	ALLIANCE	A350	142A8	\$1,882.00
		01388	TAURUS	RC95	153A2	\$1,864.00
		01386	KLEBER	SUPER 3	153A2	\$2,110.00
		01389	ALLIANCE	A350	146A2	\$2,614.00
18.4R46	480/80R46	01390	TAURUS	RC95	147A8	\$2,614.00
		01391	MICHELIN	AGRIBIB	148B	\$2,645.00
		01406	GOODYEAR	DT800	151A8	\$3,798.00
		01407	MICHELIN	AGRIBIB	159A8	\$4,759.00
		01392	ALLIANCE	A350	159A2	\$2,648.00
20.8R46	520/85R46	01393	KLEBER	SUPER 3	149A8/149B	\$2,869.00
		01394	ALLIANCE	A350	146A8	\$2,545.00
		01395	KLEBER	SUPER 3	157A2	\$2,690.00
		01397	MICHELIN	AGRIBIB	149A8	\$2,927.00
		01396	TITAN	TT49V	149A8	\$3,044.00
9.5R48	230/95R48	01383	TAURUS	RC95	147A2	\$1,551.00
		01381	KLEBER	SUPER 3	147A2	\$1,841.00
		01385	ALLIANCE	A350	142A8	\$1,882.00
		01388	TAURUS	RC95	153A2	\$1,864.00
		01386	KLEBER	SUPER 3	153A2	\$2,110.00
11.2R48	270/95R48	01389	ALLIANCE	A350	146A2	\$2,614.00
		01390	TAURUS	RC95	147A8	\$2,614.00
		01391	MICHELIN	AGRIBIB	148B	\$2,645.00
		01406	GOODYEAR	DT800	151A8	\$3,798.00
		01407	MICHELIN	AGRIBIB	159A8	\$4,759.00
13.6R48	340/85R48	01392	ALLIANCE	A350	159A2	\$2,648.00
		01393	KLEBER	SUPER 3	149A8/149B	\$2,869.00
		01394	ALLIANCE	A350	146A8	\$2,545.00
		01395	KLEBER	SUPER 3	157A2	\$2,690.00
		01397	MICHELIN	AGRIBIB	149A8	\$2,927.00
18.4R50	480/80R50	01396	TITAN	TT49V	149A8	\$3,044.00



**Taurus RC95**



**Michelin Agribib**



**Kleber Super 3**



Alliance tyres - Your driven solutions



[www.alliance.co.il](http://www.alliance.co.il)

# Cross Ply Tractor Tyres

SIZE	CODE	BRAND	STYLE	PLY RATING	RRP EX GST
16/6.50-8	03246	BKT	TR315	6	\$72.00
	03236	CARLISLE	TRU POWER	4	\$92.00
18/8.50-8	03237	CARLISLE	TRU POWER	4	\$197.00
400-10	03002	BRIDGESTONE	TA	2	\$89.00
18/8.50-10	03249	CARLISLE	TRU POWER	4	\$197.00
19.5/8.25-10	03009	CHENGSHIN	C328	4	\$108.00
400-12	03003	BRIDGESTONE	TA	2	\$104.00
5-12	03011	BRIDGESTONE	FSLM	4	\$124.00
500-12	03012	BRIDGESTONE	FSLM	4	\$124.00
6-12	03013	BRIDGESTONE	FSLM	4	\$124.00
600-12	03033	BRIDGESTONE	FSLM	6	\$124.00
6.5/80-12	03240	BKT	AS504	6	\$121.00
7-12	03213	CARLISLE	TRU POWER	4	\$225.00
11/65-12	03256	BKT	AS504	8	\$266.00
23/8.50-12	03247	BKT	TR315	6	\$196.00
23/10.50-12	03248	BKT	TR315	6	\$208.00
26/12.00-12	03019	CARLISLE	TRU POWER	4	\$334.00
	03231	BKT	TR315	8	\$215.00
5-14	03020	BRIDGESTONE	FSLM	4	\$175.00
6-14	03021	BRIDGESTONE	FSLM	4	\$181.00
	03243	BKT	TR126	4	\$181.00
7-14	03022	BRIDGESTONE	FSLM	4	\$227.00
	03244	BKT	TR126	4	\$227.00
500-15	03023	MITAS	TS06	4	\$173.00
6.5/80-15	03038	MITAS	TS06	6	\$190.00
29/12.50-15	03215	CARLISLE	TRU POWER	6	\$512.00
31/15.50-15	03212	BKT	TR135	8	\$631.00
	03098	MITAS	TR06	8	\$638.00
	03099	MITAS	TR07	8	\$638.00
10.0/75-15.3	03167	BKT	AS504	10	\$407.00
11.5/80-15.3	03176	BKT	AS504	12	\$492.00
600-16	03102	BRIDGESTONE	FSLV	8	\$300.00
7-16	03025	BRIDGESTONE	FSLM	4	\$237.00
	03217	BKT	TR144	4	\$237.00
750-16	03230	BKT	AS504 REAR TRACTOR	8	\$268.00
8-16	03222	BKT	TR144	6	\$269.00
	03043	BRIDGESTONE	FSLM	6	\$266.00
825-16	03045	ALLIANCE	A324	6	\$350.00
9.5-16	03026	BRIDGESTONE	FSLF	4	\$321.00
12.4-16	03028	BRIDGESTONE	FSLF	4	\$413.00
13.5-16.1	03046	TITAN	TRACTION I3 IMPLEMENT	6	\$641.00
15.0/55-17	03191	BKT	AS504 REAR TRACTOR	14	\$937.00
750-18	03051	CONTINENTAL	AS FARMER	6	\$608.00
8-18	03052	BRIDGESTONE	FSLM	6	\$299.00
	03225	BKT	TR144	6	\$299.00
9.5-18	03053	BRIDGESTONE	FL16	6	\$434.00
10.5/80-18	03168	BKT	AS504 REAR TRACTOR	10	\$592.00
12.5/80-18	03177	BKT	AS504 REAR TRACTOR	12	\$669.00
7.2-20	03029	BRIDGESTONE	FSLM	4	\$307.00
750-20	03056	MITAS	TS04	6	\$460.00
	03255	BKT	AS504	8	\$460.00



Alliance A324

BKT TR135

BKT TR144

BKT AS504

BKT TR315

BKT TR171

Bridgestone FSLM

SIZE	CODE	BRAND	STYLE	PLY RATING	RRP EX GST
8.3/8-20	03059	BRIDGESTONE	FSLM	6	\$449.00
	03223	BKT	TR144	6	\$453.00
9.5/9-20	03060	BRIDGESTONE	FSLH	6	\$439.00
	03242	BKT	TR135	6	\$444.00
11.2/10-20	03061	BRIDGESTONE	FL17	6	\$596.00
12.5L20	03030	FIRESTONE	ORCHARD GRIP	4	\$706.00
16.0/70-20	03193	BKT	AS504 REAR TRACTOR	14	\$976.00
8.3/8-22	03062	BRIDGESTONE	FSLM	6	\$442.00
9.5/9-22	03064	BRIDGESTONE	FSLM	6	\$486.00
	03218	BKT	TR144	6	\$491.00
8.3/8-24	03228	BKT	TR135	6	\$377.00
9.5/9-24	03227	BKT	TR135	8	\$469.00
11.2/10-24	03118	BKT	TR135	8	\$388.00
12.4/11-24	03122	BKT	TR135	8	\$416.00
13.6/12-24	03126	BKT	TR135	8	\$518.00
14.9/13-24	03129	BKT	TR135	8	\$532.00
15.5/80-24	03194	BKT	AS504	14	\$1,068.00
16.5/85-24	03207	BKT	AS504	12	\$1,068.00
18.4/15-26	03182	BKT	AS2001	12	\$1,547.00
23.1/18-26	03216	BKT	TR135	12	\$1,479.00
11.2/10-28	03131	BKT	TR135	8	\$423.00
12.4/11-28	03132	BKT	TR135	8	\$511.00
	03203	SPEEDWAYS	GRIP KING	12	\$534.00
13.6/12-28	03134	BKT	TR135	8	\$520.00
14.9/13-28	03135	BKT	TR135	8	\$561.00
16.9/14-28	03187	BKT	AS2001	12	\$859.00
7.2/6-30	03235	BKT	TR135	6	\$635.00
14.9/13-30	03138	ALLIANCE	A324	8	\$1,051.00
16.9/14-30	03140	BKT	TR135	8	\$730.00
18.4/15-30	03142	BKT	TR135	8	\$831.00
	03229	BKT	TR135	12	\$1,041.00
9.5/9-32	03084	ALLIANCE	T324	6	\$758.00
12.4/11-32	03211	BKT	TR135	8	\$780.00
24.5-32	03221	ALLIANCE	T347	12	\$2,215.00
30.5L32		ALLIANCE	A360		POA
11.2/10-34	03031	TITAN	HIGH TRACTION	4	\$822.00
16.9/14-34	01455	BKT	TR135	8	\$1,053.00
18.4/15-34	03220	BKT	TR135	10	\$1,061.00
23.1-34	03172	ALLIANCE	A347	10	\$2,597.00
9.5/9-36	03086A	ALLIANCE	A324	10	\$814.00
12.4/11-36	03152	BKT	TR135	8	\$713.00
13.6/12-36	03153	BKT	TR135	8	\$873.00
12.4/11-38	03089	ALLIANCE	A304	6	\$873.00
13.6/12-38	03219	BKT	TR135	8	\$928.00
14.9/13-38	03158	ALLIANCE	A304	8	\$1,136.00
15.5-38	03226	BKT	TR135	8	\$1,132.00
16.9/14-38	03209	BKT	TR135	8	\$1,311.00
18.4/15-38	03224	BKT	TR135	12	\$1,281.00
20.8-38	03199	ALLIANCE	A347	14	\$1,918.00
12.4/11-42	03189	TITAN	HIGH TRACTION LUG	12	\$1,473.00



**Bridgestone FSLF**



**Bridgestone FSLH**



**Bridgestone FL 16/17**



**Mitas TR06**



**Mitas TR07**

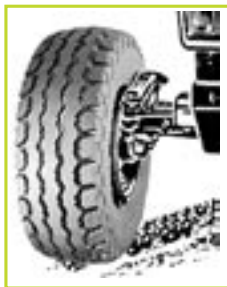
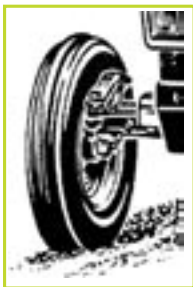
**Agricultural Tractor Tyres**

All prices exclude GST and are recommended retail prices only. TRS reserve the right to change prices without prior notice. Please confirm prices prior to quoting.

# Tractor Rib Front Tyres

SIZE	CODE	BRAND	STYLE	PLY RATING	RRP EX GST
400-9	05000	BRIDGESTONE	3 RIB	2	\$108.00
400-10	05006	DEESTONE	3 RIB	4	\$79.00
400-12	05075	GALAXY	3 RIB	4	\$84.00
400-15	05073	GALAXY	3 RIB	4	\$191.00
500-15	05065	BKT	3 RIB	4	\$148.00
7.5L15	05074	GALAXY	3 RIB	6	\$263.00
11L15	05069	BKT	PRO RIB	8	\$424.00
550-16	05064	BKT	3 RIB	6	\$201.00
600-16	05024	BKT	3 RIB	6	\$144.00
650-16	05027	BKT	3 RIB	6	\$169.00
750-16	05039	BKT	3 RIB	8	\$187.00
900-16	05063	BKT	3 RIB	10	\$391.00
1000-16	05041	BKT	3 RIB	8	\$380.00
	05070	BKT	PRO RIB	8	\$424.00
1100-16	05066	BKT	3 RIB	8	\$444.00
	05071	BKT	PRO RIB	8	\$462.00
14L16.1	05072	BKT	4 RIB	12	\$802.00
750-18	05047	BKT	3 RIB	8	\$269.00
400-19	05014	BKT	3 RIB	4	\$130.00
600-19	05029	BKT	3 RIB	6	\$223.00
750-20	05050	BKT	3 RIB	8	\$362.00

## Convert from this to this!



Many 2WD Tractors run 600-16 or 750-16 3-rib tyres on the front. These narrow tyres are hard on the pasture especially where a front-end loader is fitted. TRS offer a simple conversion allowing the fitment of a wider tyre. Conversion kits are available ex stock to suit most tractors with custom built options available also.

### BENEFITS INCLUDE:

- Increased load capacity
- Improved steering precision
- Less tyre wear
- Reduced ground damage
- Stronger tyre and wheel

CURRENT TYRE SIZE	CODE	PLY RATING	NEW TYRE SIZE	PLY RATING	WHEEL SIZE	PRICE
600x16 3-rib	WA073S	6	10.0/75-15.3	10	9.00x15.3	\$458.00
750x16 3-rib	WA074S	8	290/80-389	12	9.00x15.3	\$576.00

\*pricing does not include custom manufacture



Front Tractor 3 Rib



Front Tractor 4 Rib



## OE TAKE OFFS

TRS trade a wide variety of OE tyre and wheel equipment.

- ▶ Huge range of OE Take off tyres always available at well below new price.
- ▶ Agricultural, Industrial and Turf tyres to suit every application.
- ▶ All types of tractor wheels far below replacement cost.
- ▶ Excellent OE trade-in tyre value.
- ▶ Phone the sales team now for further details.



# Flotation Implement Tyres

SIZE	CODE	BRAND	STYLE	PLY RATING	RRP EX GST	HIGH SPEED
20/10.00-10	06508	CARLISLE	MULTI RIB	4	\$179.00	
10.0/80-12	06562	BKT	AW909	10	\$182.00	
	06561	BKT	AW702	10	\$252.00	
300/65-12	06713	BKT	RIB 775	8	\$415.00	
900-13	06536	ALLIANCE	A223 MULTI RIB	8	\$432.00	
8.5L14	06515	TITAN	MULTI RIB TL	6	\$334.00	
9.5L14	06538	BKT	I1 FARM IMPLEMENT TT	8	\$277.00	
11L14	06796	GALAXY	IMPMASTER I1	6	\$263.00	
200/60-14.5	06564	BKT	774 MULTI RIB	10	\$369.00	
590-15	06795	GALAXY	IMPMASTER I1	4	\$209.00	
670-15	06738	BKT	I1 FARM IMPLEMENT	6	\$227.00	
760-15	06751	GALAXY	IMPMASTER I1	8	\$293.00	
9.5L15	06543B	BKT	I1 FARM IMPLEMENT	8	\$219.00	
11L15	06544	BKT	I1 FARM IMPLEMENT	8	\$240.00	
	06566	BKT	F3 INDUSTRIAL IMPLEMENT	10	\$384.00	
12.5L15	06568	BKT	I1 FARM IMPLEMENT	10	\$336.00	
	06548	TITAN	HI SPEED MULTI RIB	8	\$634.00	HS
31/13.50-15	06797	GALAXY	IMPMASTER I1	8	\$637.00	
10.0/75-15.3	06571	BKT	AW702 TL	10	\$235.00	
	06618	BKT	AW702 TT	14	\$358.00	
	06735	BKT	AW702 TL	18	\$424.00	
11.5/80-15.3	06589	BKT	AW702 TL	12	\$315.00	
	06619	BKT	AW702 TT	14	\$397.00	
	06644	BKT	AW702 TT	16	\$459.00	
12.5/80-15.3	06683	BKT	AW909	14	\$450.00	
400/60-15.5	06625	BKT	AW708	14	\$585.00	
900-16	06711	BKT	I1 FARM IMPLEMENT	10	\$384.00	
10.5/65-16	06579	BKT	AW702	10	\$401.00	
10.50-16	09048	MITAS	IMO1	14	\$560.00	
11L16	06580	BKT	I1 FARM IMPLEMENT	10	\$282.00	
	06581	BKT	F3 INDUSTRIAL IMPLEMENT	10	\$397.00	
1100-16	06592	BKT	F3 MULTI RIB	12	\$444.00	
12.5L16	06594	BKT	I1 FARM IMPLEMENT	12	\$459.00	
13.0/55-16	06712	BKT	AW702	12	\$515.00	
13.0/75-16	06701	ALLIANCE	AW320	10	\$551.00	
14.0/65-16	6631A	BKT	AW705 TL	14	\$659.00	
21.5L16.1	06798	GALAXY	IMPMASTER I1	10	\$1,323.00	
15.0/55-17	06585	BKT	AW705	10	\$566.00	
	06635	BKT	AW705	14	\$619.00	
19.0/45-17	06636	BKT	AW708	14	\$841.00	
500/50-17	06637	BKT	AW708	14	\$932.00	
12.5/80-18	06598	BKT	AW702	12	\$597.00	
13.0/65-18	06645	BKT	AW702	16	\$693.00	
15/70-18	06638	BKT	AW705	14	\$935.00	
750-20	06527	TITAN	MULTI RIB	6	\$437.00	
16.0/70-20	06640	BKT	AW705	14	\$846.00	
500/60-22.5	06650	MITAS	IMO9	16	\$1,599.00	
550/60-22.5	06653	MITAS	IMO9	16	\$1,758.00	
11.25-24	06715	ALLIANCE	351 MULTI RIB	8	\$881.00	

## ➤ METRIC IMPLEMENT

290/80-389	06591	VERNELAND	AW	12	\$315.00	
------------	-------	-----------	----	----	----------	--

\*HS denotes High Speed



Alliance I380

Bandenmarkt Y1

BKT AW708

BKT AW702

BKT 648

BKT 558

BKT 882

SIZE	CODE	BRAND	STYLE	PLY RATING	RRP EX GST	HIGH SPEED
<b>▶ TRACTION IMPLEMENT INCLUDING WIDE PROFILE</b>						
11/65-12	03256	BKT	AS504	8	\$266.00	
10.0/75-15.3	03167	BKT	AS504	10	\$407.00	
11.5/80-15.3	03176	BKT	AS504	12	\$492.00	
400/60-15.5	06626	BKT	TR882 FLOTATION	14	\$651.00	
	06730	ALLIANCE	328 FLOTATION	14	\$659.00	
	31040	ALLIANCE	328 STEEL BELTED	14	\$771.00	
15/55-17	03191	BKT	AS504	14	\$937.00	
500/50-17	06721	ALLIANCE	328 FLOTATION	12	\$980.00	
400/55-17.5	03232	ALLIANCE	328 FLOTATION	12	\$1,102.00	
16.0/70-20	03193	BKT	AS504	14	\$976.00	
	06641	MITAS	MPT05	14	\$1,166.00	HS
	10094	BKT	MP567	14	\$976.00	
385/65R22.5	01032		RETREAD GRADER		\$762.00	
400/55-22.5	06642	BKT	558 FLOTATION	14	\$1,379.00	
400/60-22.5	06684	BKT	648 FLOTATION	16	\$1,559.00	
500/45-22.5	06647	BKT	558 FLOTATION	16	\$1,582.00	
550/45-22.5	06651	ALLIANCE	328 FLOTATION	16	\$1,640.00	HS
	06702	ALLIANCE	331 FLOTATION	16	\$1,658.00	
	06718	BKT	648 FLOTATION	16	\$1,577.00	
500/60-22.5	06649	MITAS	TRO8 FLOTATION	16	\$1,615.00	
	06648	BKT	648 FLOTATION	16	\$1,615.00	
550/60-22.5	06654	MITAS	TRO8 FLOTATION	16	\$1,776.00	
	06652	BKT	648 FLOTATION	16	\$1,776.00	
	06720	ALLIANCE	328 FLOTATION	16	\$1,800.00	
600/50-22.5	06656	BKT	648 FLOTATION	16	\$1,985.00	
	06685	ALLIANCE	331 FLOTATION	18	\$2,149.00	
	06697	ALLIANCE	328 FLOTATION	16	\$2,262.00	HS
600/55-22.5	06706	ALLIANCE	328 FLOTATION	12	\$2,274.00	
700/40-22.5	06657	BKT	648 FLOTATION	16	\$2,636.00	
	06729	ALLIANCE	328 FLOTATION	16	\$3,073.00	HS
700/50-22.5	06714	BKT	648 FLOTATION	12	\$2,636.00	
600/55-26.5	06658	BKT	648 FLOTATION	16	\$2,622.00	
700/50-26.5	06612	ALLIANCE	328 FLOTATION	12	\$3,357.00	HS
	06659	BKT	648 FLOTATION	16	\$3,425.00	
650/60-30.5	06719	ALLIANCE	328 FLOTATION	16	\$3,054.00	
650/65-30.5	06691	BKT	648 FLOTATION	12	\$2,761.00	
750/60-30.5	06616	ALLIANCE	328 FLOTATION	12	\$3,742.00	
	06692	BKT	648 FLOTATION	12	\$3,672.00	

**▶ WIDE PROFILE RADIAL PLY TYRES**

275/65R18	24015	MICHELIN	XP27	133G	\$892.00	HS
340/65R18	24018	MICHELIN	XP27	142G	\$928.00	HS
385/65R22.5	06666	BANDENMARKT	Y1 IMPLEMENT (W/ASSY)	160F	\$923.00	HS
400R22.5	06716	BANDENMARKT	FLOTAGRIP (W/ASSY)	160A8	\$1,070.00	
445/65R22.5	01033	MITAS	ARO1	169F	\$1,473.00	HS
560/45R22.5	06736	BKT	FL630	151D	\$1,872.00	HS
560/60R22.5	06737	BKT	FL630	161D	\$2,083.00	HS
560/60R22.5	06707	MICHELIN	CARGOXBIB	161D	\$2,740.00	HS
	06709	ALLIANCE	I380	161E	\$2,186.00	HS
600/50R22.5	06710	MICHELIN	CARGOXBIB	159D	\$2,882.00	HS
650/50R22.5	06676	ALLIANCE	I380	171A8/163E	\$2,947.00	HS
750/45R22.5	06699	ALLIANCE	I380	174A8/166E	\$3,029.00	HS
600/55R26.5	01508	MICHELIN	CARGOXBIB	165D	\$4,060.00	HS
800/45R26.5	01507	MICHELIN	CARGOXBIB	174D	\$5,518.00	HS

\*HS denotes High Speed



**BKT AS504**



**BKT Industrial Rib F3**



**BKT FL630**



**Michelin CargoXbib**



**Mitas IM09**



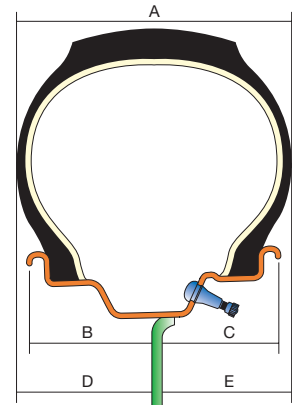
**Michelin XP27**

# Flotation Implement Wheel Assemblies



All measurements as shown on pages 16-18 are based on this diagram showing tyre widths and offset of wheels.

Specifications subject to change without notice and subject to brand variation.



SIZE	CODE	BRAND	TREAD	LOAD INDEX/ PLY RATING	OVERALL DIAMETER (mm)	SPECIFICATIONS (mm)					LOAD CAP @40KPH	STUD PATTERN	WHEEL SIZE	RRP EX GST	HIGH SPEED
						A	B	C	D	E					
<b>BIAS PLY WHEEL ASSEMBLIES</b>															
10/80-12	WA001	BKT	AW909	10	710	245	104	101	122	118	1450kg	5	7.00X12	\$327.00	
10/80-12	WA002	BKT	AW702	10	710	245	104	101	122	118	1450kg	5	7.00x12	\$360.00	
200/60-14.5	WA003	BKT	RIB 774	10	610	206	95	95	100	100	1030kg	5	6.75x14.5	\$541.00	
10/75-15.3	WA005	BKT	AW702	10	760	275	130	122	140	132	1550kg	5	9.00x15.3	\$458.00	
	WA008	BKT	AW702	14	760	275	130	122	140	132	1550kg	5	9.00 x 15.3	\$565.00	
	WA006	BKT	AS504	10	760	275	130	122	140	132	1700kg	5	9.00x15.3	\$608.00	
	WA009	BKT	AW702	10	760	275	130	122	140	132	1550kg	6	9.00 x 15.3	\$458.00	
	WA012	BKT	AW702	14	760	275	130	122	140	132	1700kg	6	9.00 x 15.3	\$565.00	
	WA010	BKT	AS504	10	780	275	130	122	140	122	1550kg	6	9.00 x 15.3	\$608.00	
11.5/80-15.3	WA013	BKT	AW702	12	884	305	130	122	155	147	2180kg	6	9.00 x 15.3	\$530.00	
	WA015	BKT	AW702	14	884	305	130	122	155	147	2340kg	6	9.00 x 15.3	\$600.00	
	WA016	BKT	AW702	16	884	305	130	122	155	147	2575kg	6	9.00 x 15.3	\$696.00	
	WA014	BKT	AS504	12	884	305	130	122	155	147	2180kg	6	9.00 x 15.3	\$685.00	
290/80-389	WA017	VERNELAND	AW702	12	884	305	130	122	155	147	2180kg	6	9.00 x 15.3	\$535.00	
12.5/80-15.3	WA018	BKT	AW909	14	885	312					2650kg	6	9.00x15.3	\$649.00	
400/60-15.5	WA019	BKT	AW708	14	875	412	186	176	208	198	2725kg	6	13.00 x15.5	\$767.00	
	WA021	MITAS	IM07	14	875	412	186	176	208	198	2725kg	6	13.00x15.5	\$767.00	
	WA022	ALLIANCE	I328	14	874	412	186	176	208	198	2725kg	6	13.00 x15.5	\$826.00	
	WA023	BKT	TR882	14	875	412	186	176	208	198	2725kg	6	13.00 x15.5	\$826.00	
13/55-16	WA025	BKT	AW702	14	770	327	157	150	164	156	2240kg	6	11.00X16	\$787.00	
14.0/65-16	WA026	BKT	AW705	14	870	372	158	148	186	176	2900kg	6	11.00X16	\$798.00	
315/55R16	WA027	Continental	MPT81	120K	750	317	160	150			1400kg	6	11.00X16	\$983.00	HS
15/55-17	WA028	BKT	AW705	10	850	391	183	169	194	180	2120kg	6	13.00x17	\$771.00	
	WA030	BKT	AW705	14	850	391	183	169	194	180	2575kg	6	13.00X17	\$815.00	
	WA031	BKT	AS504	14	890	380	181	171	191	181	2575kg	6	13.00x17	\$1,097.00	
19/45-17	WA032	BKT	AW708	14	860	470	223	214	236	227	2800kg	6	16.00x17	\$1,075.00	
	WA033	BKT	AW708	14	860	470	223	214	236	227	2800kg	8	16.00x17	\$1,075.00	
10.5/80-18	WA034	BKT	AS504	10	907	274	130	122	136	128	1950k	6	9.00x18	\$875.00	
12.5/80-18	WA035	BKT	AW702	12	965	308	130	122	160	152	2650kg	6	9.00x18	\$898.00	
	WA036	BKT	AS504	12	987	308	127	119	154	146	2650kg	6	9.00x18	\$943.00	
13.0/65-18	WA037	BKT	AW702	16	890	330	156	148	164	156	2800kg	6	11.00x18	\$968.00	
15.0/70-18	WA038	BKT	AW705	14	990	413	180	171	207	198	3150kg	6	13.00X18	\$1,041.00	
15.0/70-18	WA039	BKT	AW705	14	990	413	180	171	207	198	3150kg	8	13.00x18	\$1,217.00	
16.0/70-20	WA043	BKT	AW705	14	1075	409	198	184	208	194	3750kg	8	14.00x20	\$1,296.00	
	WA044	BKT	AS504	14	1097	418	198	184	208	194	3750kg	8	14.00x20	\$1,409.00	
	WA045	BKT	MP567	14	1128	405	198	184	208	194	3340kg	8	14.00x20	\$1,709.00	HS
	WA046	MITAS	MPT01	14	1116	420	194	186	210	202	3165kg	8	14.00x20	\$1,709.00	
	WA047	MITAS	MPT02	14	1116	418	194	186	209	201	3150kg	8	14.00x20	\$1,709.00	
	WA048	MITAS	MPT05	14	1116	422	195	187	211	203	3165kg	8	14.00x20	\$1,709.00	
	WA050	BKT	AW705	14	1075	409	198	184	208	194	3750kg	10	14.00x20	\$1,296.00	
	WA051	BKT	AS504	14	1097	418	198	184	208	194	3750kg	10	14.00x20	\$1,409.00	
	WA052	BKT	MP567	14	1128	405	198	184	208	194	3340kg	10	14.00x20	\$1,709.00	HS
	WA053	MITAS	MPT01	14	1076	420	194	186	210	202	3165kg	10	14.00x20	\$1,709.00	
	WA054	MITAS	MPT02	14	1076	418	194	186	209	201	3150kg	10	14.00x20	\$1,709.00	
	WA055	MITAS	MPT05	14	1076	422	195	187	211	203	3165kg	10	14.00x20	\$1,709.00	



BKT AS504



BKT 882



BKT 558



BKT 648



Mitas TR08

# Flotation Implement Wheel Assemblies

SIZE	CODE	BRAND	TREAD	LOAD INDEX/ PLY RATING	OVERALL DIAMETER (mm)	SPECIFICATIONS (mm)					LOAD CAP @40KPH	STUD PATTERN	WHEEL SIZE	RRP EX GST	HIGH SPEED
						A	B	C	D	E					
405/70R20	WA049	MITAS	MPT21	152J	1110	407	195	187			3550KG	8	14.00x20	\$1,709.00	
	WA056	MITAS	MPT21	152J	1178	522	245	237	261	253	4080kg	10	14.00x20	\$1,803.00	HS
400/55-22.5	WA060	BKT	TR558	14	1020	405	175	167	200	192	2360kg	8	11.75x22.5	\$1,716.00	
400/60-22.5	WA061	BKT	TR648	16	1070	405	179	171	210	202	4000kg	8	11.75x22.5	\$1,716.00	
500/45-22.5	WA064	BKT	TR558	16	1015	500	231	212	254	235	3750kg	8	16.00x22.5	\$1,864.00	
500/60-22.5	WA065	BKT	TR648	16	1170	500	231	212	254	235	4875kg	8	16.00x22.5	\$1,983.00	
	WA066	MITAS	IM09	16	1172	510	229	221	255	247	4375kg	8	16.00x22.5	\$1,983.00	
550/60-22.5	WA067	MITAS	TR08	16	1170	500	231	212	254	235	4875kg	8	16.00x22.5	\$1,983.00	
	WA068	BKT	TR648	16	1230	550	231	212	279	260	5450kg	8	16.00x22.5	\$2,125.00	
	WA069	MITAS	TR08	16	1230	550	231	212	279	260	5450kg	8	16.00x22.5	\$2,125.00	
	WA070	MITAS	IM09	16	1232	538	227	219	269	261	4875kg	8	16.00x22.5	\$2,125.00	
10.0/75-15.3	WA073	BKT	AW702	10	760	275	130	122	140	132	1550kg	6	9.00x15.3	\$458.00	
290/80-389	WA017	VERNELAND	AW702	12	884	305	130	122	155	147	2180kg	6 FLOATER	9.00 x 15.3	\$576.00	
400/60-15.5	WA075	ALLIANCE	F328	14	864	404	186	176	208	198	3100KG	6	9.00x15.3	\$971.00	
500/50-17	WA076	BKT	AW708	14	945	500	223	214	236	227	3550KG	6	16.00x17	\$1,156.00	
500/50-17	WA077	BKT	AW708	14	945	500	223	214	236	227	3550KG	8	16.00x17	\$1,392.00	
500/55-17	WA078	ALLIANCE	I328	12	994	503	223	214	236	227	3075KG	6	16.00x17	\$1,199.00	
500/55-17	WA079	ALLIANCE	I328	12	994	503	223	214	236	227	3075KG	8	16.00x17	\$1,434.00	
400/55-22.5	WA080	BKT	TR558	14	1020	405	175	167	200	192	3150KG	10	11.75x22.5	\$1,771.00	
400/60-22.5	WA081	BKT	TR468	16	1070	400	175	167	200	192	3200KG	10	11.75x22.5	\$1,933.00	
500/45-22.5	WA082	BKT	TR558	16	1015	500	231	212	254	235	3750kg	10	16.00x22.5	\$2,018.00	
500/60-22.5	WA083	MITAS	IM09	16	1214	543	231	212	279	260	4375KG	10	16.00x22.5	\$2,033.00	
500/60-22.5	WA084	BKT	TR648	16	1170	500	231	212	254	235	4875kg	10	16.00x22.5	\$2,048.00	
500/60-22.5	WA085	MITAS	TR08	16	1234	543	231	212	279	260	4375KG	10	16.00x22.5	\$2,033.00	
550/45-22.5	WA086	BKT	TR648	16	1070	550	231	212	254	235	3550KG	8	16.00x22.5	\$1,981.00	
550/45-22.5	WA087	ALLIANCE	I328	16	1070	550	231	212	254	235	4140kg	8	16.00x22.5	\$2,038.00	HS
550/45-22.5	WA089	ALLIANCE	I331	16	1070	550	231	212	254	235	4140kg	8	16.00x22.5	\$2,055.00	
550/45-22.5	WA090	BKT	TR648	16	1070	550	231	212	254	235	3550KG	10	16.00x22.5	\$2,197.00	
550/45-22.5	WA092	ALLIANCE	I331	16	1070	550	231	212	254	235	4140kg	10	16.00x22.5	\$2,271.00	
550/60-22.5	WA093	ALLIANCE	I328	16	1170	550	231	212	254	235	4450KG	8	16.00x22.5	\$2,182.00	
550/60-22.5	WA094	MITAS	IM09	16	1278	580	231	212	301	282	4875KG	10	16.00x22.5	\$2,361.00	
550/60-22.5	WA095	BKT	TR648	16	1230	550	231	212	276	267	4875KG	10	16.00x22.5	\$2,376.00	
550/60-22.5	WA096	MITAS	TR08	16	1300	580	231	212	301	267	4875KG	10	16.00x22.5	\$2,361.00	
550/60-22.5	WA097	ALLIANCE	I328	16	1170	550	231	212	254	235	4450KG	10	16.00x22.5	\$2,398.00	
600/50-22.5	WA072	BKT	TR648	16	1170	600	276	268	302	294	5150kg	8	20.00x22.5	\$2,499.00	
600/50-22.5	WA099	ALLIANCE	I328	16	1170	600	276	268	302	294	4700KG	10	20.00x22.5	\$2,814.00	
600/50-22.5	WA100	ALLIANCE	I331	16	1170	600	276	268	302	294	4700KG	10	20.00x22.5	\$2,632.00	
700/40-22.5	WA101	BKT	TR648	16	1170	700					4750KG	8	24.00x22.5	\$3,151.00	
700/40-22.5	WA102	ALLIANCE	I328	16	1170	700					4830KG	8	24.00x22.5	\$3,544.00	
700/40-22.5	WA103	BKT	TR648	16	1170	700					4750KG	10	24.00x22.5	\$3,151.00	
700/40-22.5	WA104	ALLIANCE	I328	16	1170	700					4830KG	10	24.00x22.5	\$3,544.00	
700/50-22.5	WA105	BKT	TR648	12	1170	700					4125kg	8	24.00x22.5	\$3,151.00	
700/50-22.5	WA106	BKT	TR648	12	1170	700					4125kg	10	24.00x22.5	\$3,151.00	
600/55-26.5		BKT	TR648	16	1340	600					6000kg	8 or 10	20x26.5*	POA	
700/50-26.5		BKT	TR648	12	1340	700					5800kg	8 or 10	24.00x26.5*	POA	
700/50-26.5		ALLIANCE	I328	12	1340	700					5800kg	8 or 10	24.00x26.5*	POA	
700/50-26.5		BKT	TR648	16	1340	700					6700kg	8 or 10	24.00x26.5*	POA	

## ▶ RADIAL TYRE WHEEL ASSEMBLIES

275/65R18	WA040	MICHELIN	XP27	133G	810	273	115	108	136	129	2370kg	6	W8X18	\$1,058.00	HS
340/65R18	WA041	MICHELIN	XP27	142G	895	340	156	148	169	161	3050kg	6	11x18	\$1,183.00	HS
385/65R22.5	WA059	TRS	GRADER RETREAD	160F	1072	380	173	163	190	180	5319kg	8	11.75x22.5	\$1,098.00	
	06666	BANDENMARKT	XY1 REMOULD	160F	1080	380	173	163	190	180	5319kg	8	11.75x22.5	\$923.00	HS
400R22.5	06716	BANDENMARKT	FLOTAGRIP	18	1080	381	171	163	190	182	5400kg	8	11.75x22.5	\$1,070.00	
445/65R22.5	WA062	MITAS	AR01	169F	1150	445	201	187	224	210	6670kg	8	14.00x22.5	\$1,835.00	HS
445/65R22.5	WA063	CONTINENTAL	AC70G	169F	1150	445	201	187	224	210	6670kg	8	14.00x22.5	\$2,459.00	HS
560/60R22.5	WA071	ALLIANCE	I380	161E	1245	552	231	223	276	268	6710kg	8	16.00x22.5	\$2,335.00	HS



BKT AW702



BKT AW708



BKT 774

# Flotation Implement Wheel Assemblies

SIZE	CODE	BRAND	TREAD	LOAD INDEX/ PLY RATING	OVERALL DIAMETER (mm)	SPECIFICATIONS (mm)					LOAD CAP @40KPH	STUD PATTERN	WHEEL SIZE	RRP EX GST	HIGH SPEED
						A	B	C	D	E					
340/65R18	WA091	MICHELIN	XP27	142G	895	339	156	148	164	156	2650KG	6	11.00x18	\$2,254.00	HS
385/65R22.5	WA111	TRS	GRADER RETREAD	160F	1072	380	173	163	190	180	5319kg	10	11.75x22.5	\$1,198.00	HS
560/45R22.5	WA112	BKT	FL630	152D	1076	543	231	223			3550KG	8	16.00x22.5	\$2,247.00	HS
560/45R22.5	WA113	BKT	FL630	152D	1076	543	231	223			3550KG	10	16.00x22.5	\$2,463.00	HS
560/60R22.5	WA114	BKT	FL630	161D	1244	543	231	223			4625KG	8	16.00x22.5	\$2,437.00	HS
560/60R22.5	WA115	MICHELIN	CARGO XBIB	161D	1251	570	231	223			4630KG	8	16.00x22.5	\$3,028.00	HS
560/60R22.5	WA116	ALLIANCE	I380	161E	1245	554	231	223			4625KG	10	16.00x22.5	\$2,746.00	HS
560/60R22.5	WA117	BKT	FL630	161D	1244	543	231	223			4625KG	10	16.00x22.5	\$2,653.00	HS
560/60R22.5	WA118	MICHELIN	CARGO XBIB	161D	1251	570	231	223			4630KG	10	16.00x22.5	\$3,245.00	HS
600/50R22.5	WA119	MICHELIN	CARGO XBIB	159D	1181	616	276	268			4380KG	8	20.00x22.5	\$3,307.00	HS
600/50R22.5	WA120	MICHELIN	CARGO XBIB	159D	1181	616	276	268			4380KG	10	20.00x22.5	\$3,372.00	HS
650/50R22.5	WA121	ALLIANCE	I380	163E	1235	650	276	268			4875KG	8	20.00x22.5	\$3,366.00	HS
650/50R22.5	WA122	ALLIANCE	I380	163E	1235	650	276	268			4875KG	10	20.00x22.5	\$3,432.00	HS
710/45R22.5	WA123	MICHELIN	CARGO XBIB	165D	1210	721					5150KG	8	24.00x22.5	\$3,728.00	HS
710/45R22.5	WA124	MICHELIN	CARGO XBIB	165D	1210	721					5150KG	10	24.00x22.5	\$3,728.00	HS
750/45R22.5	WA125	ALLIANCE	I380	166E	1245	750					5300KG	8	24.00x22.5	\$3,504.00	HS
750/45R22.5	WA126	ALLIANCE	I380	166E	1245	750					5300KG	10	24.00x22.5	\$3,504.00	HS

HS denotes High Speed.



Michelin XP27



Bandenmarkt XY1



Mitas AR01



Grader Recap

# Black Bull

## THE NEW ADR AXLES

### safe and ready for any challenge

**BlackBull.** The **revolution** is already history

We did not limit ourselves to restyling what already existed. Being LEADERS in our sector, we REVOLUTIONISED the concept of an axle in all aspects: weight, speed, height, safety and durability. We wanted a result which would finally allow us to completely satisfy the EXPECTATIONS AND REQUIREMENTS of our end-users, improving the handling of agricultural machinery and transport even at the most extreme angles. And with the **BlackBull** series we have succeeded.

**BlackBull** means **lightness**

We found the solution, but also the starting point, in LIGHTNESS – which does not mean flimsiness. We wanted an axle ready for a fast approaching future, which will see the widespread use of hydraulic suspensions also in agricultural transport, and during the design stage we realised that 'lightening' the axle beam without reducing its strength was the key to reaching other important goals.

**BlackBull** means new **materials**

To obtain a significant weight reduction and produce the expected ADVANTAGES, we totally redesigned the axle structure, substituting the traditional billet with a tubular, on one of our own designs in high resistance MATERIALS developed in collaboration with cutting edge European steelworks. This co-operation also led to the development of the ORIGINAL SPINDLES cast in special steel.

**BlackBull** means **hitech** processes

To satisfy our quality and performance priorities, we had to totally revise some important manufacturing processes. We were able to obtain a totally uniform response by the tubular body to any kind of stress, thanks to an EXCLUSIVE welding method which give far SUPERIOR STRENGTH to that of traditional methods, joining the tubular body practically seamlessly.

We designed NEW modules for machining the tubular billet and spindles with very narrow tolerances as perfected during the experimental stage, to obtain perfect CONCENTRICITY of all the axle beam components, resulting in LESS wear on the tyres and OUTSTANDING braking.

A special (ADR original) CASTING system allowed us to produce a spindle shape which guarantees a perfect junction with the tubular billet, so allowing an exact, durable weld without discontinuity stress and with an excellent weight-strength ratio.

**BlackBull** means great **performance**

Weight REDUCTION, RIGOROUS tests on materials and welds, and innovative PRODUCT PROCESSES have combined to give better PERFORMANCE- to be exact: Travelling speed from **20 UP TO 100km/h and OVER**

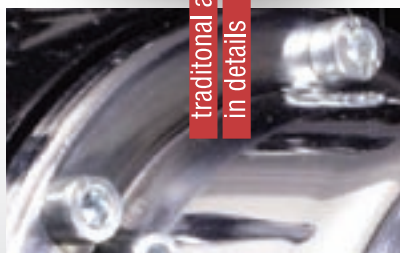
- Increased **CARRYING CAPACITY** means better **fuel economy and reduced working times**
- Higher **SAFETY** margins
- Greater **DURABILITY** of all components
- Reduced **MAINTENANCE**
- Better **BRAKING**
- Always accurate and sensitive **AUTO-STEERING SYSTEM**
- Greater flexibility compared to traditional materials for **LESS STRESS** to the suspension in the event of knocks or uneven terrain
- **OTHER COMPONENTS** can be assembled to the axle in **COMPLETE SAFETY**

**BlackBull** means **speed and safety**

As well as producing exceptionally exact tolerances between its parts, the special process used to manufacture the spindle gives a smoother finish to the bearing seating compared with traditional methods, and greater material density at the spindle-bearing coupling.

This is an EXCEPTIONAL result considering the ever-greater speeds that the axles are subjected to.

This is also one of the aspects that make the BIG DIFFERENCE between a spindle cast with the ADR method and a spindle formed directly from the billet. It is not the brand of bearing that can transform a traditional agricultural axle in to an industrial axle. Thanks to their construction characteristics, with **BlackBull** axles you can travel and work in complete SAFETY from 20km/h to 100/h and MORE with no change of axle.



traditional accuracy in details



hot forged spindles and safety washer



high quality components



high tensile steel body



**Harness the Force.**



# Replacement Wheels

TRS carries an extensive range of replacement wheels for all Agricultural machinery. Sizes not listed below can be custom built to specific requirements. All wheels are available in a range of standard colours or can be painted to your specifications.

## ► EX-STOCK RANGE

WHEEL SIZE	CODE	SUGGESTED TYRE SIZE	WHEEL SPECIFICATIONS			B/SPACE D OFFSET	F/SPACE E OFFSET	RRP EX GST
			C. HOLE	PCD	#STUDS			
10.50x12	44002	26/1200-12	118	152	6	135	147	\$252.00
7x12	44042	10/80-12	94	140	5	102	125	\$154.00
9.00-15.3	44059	10/75-15.3	94	140	5	128	125	\$215.00
		11.5/80-15.3						
		290/80-389						
9.00-15.3 (Floater)	44092	10/75-15.3	118	152	6	115	138	\$281.00
		11.5/80-15.3						
		290/80-389						
9.00-15.3 (Bedford)	44055	10.0/75-15.3	161	205	6	132	143	\$281.00
		11.5/80-15.3						
		12.5/80-15.3						
9.00-15.3 (Landrover)	44054	10.0/75-15.3	110	165	5 (17mm)	132	143	\$313.00
		11.5/80-15.3						
		12.5/80-15.3						
13.00-15.5	44012	400/60-15.5	161	205	6	185	173	\$308.00
4.50-16	44034	600-16	118	152	6	137	15	\$201.00
		650-16						
5.50-16	44037	700-16	118	152	6	100	67	\$293.00
		750-16						
W8-16	44047	900-16	118	152	6	95	120	\$298.00
	44077	1000-16	161	205	6	95	120	\$298.00
W10-16	44001	1116	118	152	6	113	164	\$331.00
		1100-16						
11.00-16	44003	12.5L16	161	205	6	144	132	\$368.00
		13/75-16						
13.00-17	44015	15/55-17	161	205	6	185	172	\$302.00
16.00-17	44026	19/45-17	161	205	6	219	212	\$353.00
		500/50-17						
16.00-17	44027	555/45-17	221	275	8	219	212	\$374.00
		19/45-17						
5.50-18	44038	750-18	118	152	6	115	48	\$232.00
9.00-18	44069	10.5/80-18	161	205	6	127	120	\$392.00
		12.5/80-18						
11.00-18	44005	13.0/65-18	161	205	6	148	154	\$368.00
		340/65R18						
11.00-18	44008	13.0/65-18	221	275	8	148	154	\$398.00
		340/65R18						
13.00-18	44017	15.0/70-18	161	205	6	179	170	\$438.00
13.00-18	44019	15.0/70-18	221	275	8	179	170	\$438.00
		221						
13x20	44164	16.0/70-20	221	275	8	168	179	\$698.00
13x20	44157	16.0/70-20	281	335	10	168	179	\$698.00
14x20	44023	16.0/70-20	221	275	8	181	170	\$614.00
11.75x22.5	44009	385/65R22.5	221	275	8	166	165	\$559.00
11.75x22.5	44170	15R22.5	281	335	10	166	165	\$589.00
		400/55-22.5						
14.00x22.5	44024	221	275	8	189	189	\$585.00	
16.00x22.5	44031	500/60-22.5	221	275	8	225	213	\$624.00
16.00x22.5	44171	550-60-22.5	281	335	10	225	213	\$661.00
20.00x22.5	44179	600/50-22.5	221	275	8	275	265	\$792.00
20.00x22.5	44172	600/55-22.5	281	335	10	275	265	\$792.00
24.00x25	44180	700/40-22.5	221	275	8	330	310	\$865.00
24.00x25	44173	700/50-22.5	281	335	10	330	310	\$865.00





# Lasting Impressions

*Off-Highway Tyre Solutions*

[www.bkt-tires.com](http://www.bkt-tires.com)

# Turf Tread Tyres

SIZE	CODE	BRAND	STYLE	PLY RATING	RRP EX GST
8/3.00-4	22018	CHENGSHIN	C190 SLICK	4	\$62.00
9/3.50-4	22196	CARLISLE	SMOOTH SOLID		\$83.00
13/5.00-6	22256	BKT	LG RIB	4	\$72.00
14/5.00-6	22000	BRIDGESTONE	PD3	2	\$75.00
15/6.00-6	22257	BKT	LG306	4	\$84.00
480/400-8	22028	CHENGSHIN	C190 SLICK	4	\$71.00
16/6.50-8	22031	BRIDGESTONE	PD1	4	\$76.00
16.5/6.50-8	22262	BKT	LG306	6	\$71.00
18/7.00-8	22003	BRIDGESTONE	PD	2	\$97.00
18/8.50-8	22035	BRIDGESTONE	PD	4	\$101.00
	22266	BKT	LG306	6	\$106.00
	22119	DEESTONE	D268 HIGHWAY	6	\$87.00
18/9.50-8	22005	BRIDGESTONE	SO SMOOTH	2	\$113.00
	22039	TITAN	HEAVY DUTY SMOOTH	4	\$141.00
	22037	BRIDGESTONE	PD	4	\$129.00
	22115	CARLISLE	MULTI TRAC C/S	6	\$160.00
	22214	BKT	LG306	6	\$130.00
18/11.00-8	22179	TITAN	FAST TREKKER	4	\$173.00
20/10.00-8	22008	BRIDGESTONE	M40B	2	\$125.00
	22042	CARLISLE	MULTI TRAC C/S	4	\$182.00
	22043	CARLISLE	SUPER LUG	4	\$187.00
	22263	BKT	LG307	4	\$179.00
	22267	BKT	LG306	4	\$114.00
20/11.00-8	22181	CARLISLE	TURF TAMER	4	\$191.00
21/11.00-8	22048	CARLISLE	POWER TRAC 2	4	\$225.00
22/12.00-8	22183	TITAN	FIELD TRAX	4	\$209.00
22.5/10.00-8	22184	CARLISLE	TURF TAMER	4	\$209.00
	22185	CARLISLE	FIELD TRAX	4	\$209.00
20/11.00-9	22187	CARLISLE	TURF TAMER	4	\$201.00
25/12.00-9	22242	CARLISLE	TURF TAMER	4	\$193.00
25/13.00-9	22224	CARLISLE	FIELD TRAX	4	\$230.00
18/8.00-10	22056	TITAN	MULTI TRAC C/S	4	\$154.00
18/8.50-10	22057A	CARLISLE	MULTI TRAC C/S	4	\$167.00
	22225	CARLISLE	FIELD TRAX	4	\$148.00
18/10.50-10	22058	CARLISLE	MULTI TRAC C/S	4	\$209.00
18/11.00-10	22244	CARLISLE	BADLANDS	4	\$197.00
20/8.00-10	22060	BRIDGESTONE	PD	4	\$125.00
205/50-10 (20.5/8.00-10)	22065A	BKT	GF305	4	\$153.00
20.5/8.00-10	22064	BRIDGESTONE	PD1	4	\$153.00
20/10.00-10	22216	BKT	LG306	4	\$179.00
	22217	BKT	SMOOTH	4	\$189.00
	22247	CARLISLE	SMOOTH	2	\$187.00



**BKT LG306**



**BKT LG408**



**Bridgestone M40B**



**Bridgestone PD**



**Bridgestone PD1**

All prices exclude GST and are recommended retail prices only. TRS reserve the right to change prices without prior notice. Please confirm prices prior to quoting.

# Turf Tyres

SIZE	CODE	BRAND	STYLE	PLY RATING	RRP EX GST
20.5/10.00-10	22198	CHENGSHIN	C834 HIGHWAY	10	\$221.00
23/8.50-12	22067	BRIDGESTONE	PD	4	\$173.00
	22218	BKT	LG306	4	\$175.00
	22131	TITAN	MULTI TRAC C/S	6	\$225.00
23/10.50-12	22071	BRIDGESTONE	PD1	4	\$197.00
	22072	CARLISLE	ALL TRAIL	4	\$246.00
	22219	BKT	LG306	4	\$198.00
	22239	CARLISLE	MULTI TRAC C/S	6	\$246.00
24/8.50-12	22073	BRIDGESTONE	PD1	4	\$235.00
24/12.00-12	22075	CARLISLE	MULTI TRAC C/S	4	\$321.00
24/13.00-12	22261	BKT	LG408	6	\$282.00
26/12.00-12	22229	CARLISLE	FIELD TRAX	2	\$313.00
	22220	BKT	LG306	4	\$246.00
	22221	CARLISLE	MULTI TRAC C/S	6	\$334.00
26.5/14.00-12	22081	CARLISLE	ULTRA TRAC	4	\$439.00
	22260	BKT	LG408	6	\$331.00
300/65-12	22268	BKT	TRACMASTER	8	\$266.00
24/8.50-14	22085	BRIDGESTONE	PD1	4	\$235.00
25/8.50-14	22086	BRIDGESTONE	PD1	4	\$254.00
	22139A	TITAN	MULTI TRAC	4	\$273.00
25/10.50LL-15	22233	TITAN	SOFT TURF	6	\$342.00
27/8.50-15	22087	BRIDGESTONE	PD	4	\$292.00
29/12.00-15	22088	BRIDGESTONE	PD1	4	\$430.00
29/14.00-15	22141	CARLISLE	ULTRA TRAC	6	\$560.00
31/13.50-15	22091	BRIDGESTONE	PD1	4	\$532.00
31/15.50-15	22092	BRIDGESTONE	PD1	4	\$552.00
33/12.50-15	22093	GOODYEAR	TURF	4	\$660.00
212/80D15	22095	BRIDGESTONE	PD1	4	\$408.00
315/75D15	22096	BRIDGESTONE	M40B	4	\$539.00
25/10.50LL-15	22255	GALAXY	TURF SPECIAL	6	\$403.00
27/12LL15	22254	GALAXY	TURF SPECIAL	6	\$466.00
315/80D16	22101	BRIDGESTONE	M40B	4	\$578.00
13.6-16	22100	BRIDGESTONE	PD1	4	\$554.00
12LL-16	22270	GALAXY	TURF SPECIAL	6	\$466.00
41/18LL-16.1	22252	GALAXY	TURF SPECIAL	6	\$976.00
22.5LL-16.1	22253	GALAXY	TURF SPECIAL	6	\$1,438.00
12-16.5	10189	TITAN	TORQ TRAC	8	\$428.00
33/12.50-16.5	22102	TITAN	MULTI TRAC C/S	4	\$407.00
41/14.00-20	TBA	ALLIANCE	322	6	TBA
355/80D20	22106	BRIDGESTONE	PD1 (SET)	4	\$853.00
44/18.00-20	22105	TITAN	MULTI TRAC C/S	4	\$1,512.00
475/65D20	22107	BRIDGESTONE	PD1 (SET)	4	\$1,432.00



Carlisle Multi-Trac C/S



Carlisle Ultra Trac



Galaxy Turf Special



Titan Turf Tamer

All prices exclude GST and are recommended retail prices only. TRS reserve the right to change prices without prior notice. Please confirm prices prior to quoting.

# Diamond Tread Tyres



- » **COST EFFECTIVE**  
Diamond tread replacement tyres are a popular option providing excellent value for money when increased flotation is not necessary.
- » **EASY TYRE SWAP**  
In most cases Diamond tread tyres can be simply fitted to the existing tractor rims without the need to build new wheels.
- » **WIDE RANGE**  
The Diamond range extends from 12" to 30" in diameter.

SIZE	CODE	BRAND	STYLE	PLY RATING	RRP EX GST
6-12	22066	BRIDGESTONE	FD	4	\$99.00
6-14	22083	BRIDGESTONE	FD	4	\$185.00
8-16	22097	BRIDGESTONE	FD	4	\$299.00
9.5-16	22098	BRIDGESTONE	FD	4	\$409.00
12.4-16	22155	ALLIANCE	A316	8	\$535.00
13.6-16	22099	BRIDGESTONE	FD	4	\$714.00
13.50-16.1	22157	FIDELITY	DIAMOND R3	8	\$736.00
9.5-18	22103	BRIDGESTONE	FD	4	\$368.00
11.2/10-20	22163	ARMOUR	TURF (SET)	4	\$506.00
9.5/9-22	22108	FIRESTONE	TURF & FIELD T/L	4	\$675.00
9.5/9-24	22111	FIRESTONE	TURF & FIELD T/L	4	\$767.00
11.2/10-24	22113	BRIDGESTONE	FD	4	\$633.00
14.9/13-24	22158	ALLIANCE	329 DIAMOND	8	\$930.00
16.9/14-24	22159	ALLIANCE	329 DIAMOND	8	\$1,050.00
18.4/15-26	22164	ALLIANCE	329 DIAMOND	10	\$1,267.00
23.1/18-26	22169	ALLIANCE	329 DIAMOND T/L	12	\$1,686.00
	22175	BKT	TR387 DIAMOND T/L	16	\$1,877.00
	22174	ALLIANCE	329 DIAMOND T/T	16	\$1,971.00
28L26	22251	BKT	TR390 DIAMOND	16	\$3,388.00
12.4/11-28	22209	BKT	TR387 DIAMOND T/L	8	\$920.00
13.6/12-28	22148	BRIDGESTONE	FD	6	\$911.00
	22147	ALLIANCE	329 DIAMOND	6	\$876.00
16.9/14-28	22161	BKT	TR387 DIAMOND T/L	8	\$1,311.00
16.9/14-30	22165	BKT	TR387 DIAMOND T/L	8	\$1,447.00
18.4/15-30	22166	BKT	TR387 DIAMOND T/L	8	\$1,547.00



**Bridgestone FD**



**BKT TR387**



**Alliance A329**

# Softfoot Turf Solutions

Softfoot turf solutions from TRS represent the ultimate in turf care technology. The unique pattern and low ground pressure properties of these tyres allows them to continue working in conditions that would see more conventional turf tyres parked up.

Not only can you work in wetter conditions, the wide profile also means turf damage is minimised due to the wide footprint and reduced ground pressure.

Without exception, customers using Softfoot solutions report significantly increased productivity compared to previous solutions.

SIZE	CODE	BRAND	STYLE	PLY RATING	RRP EX GST
400/60-15.5	06626	BKT	882	14	\$651.00
	06730	ALLIANCE	328	14	\$659.00
500/50-17	06721	ALLIANCE	328	12	\$980.00
400/55-17.5	03232	ALLIANCE	328	12	\$1,102.00
400/55-22.5	06642	BKT	558	14	\$1,379.00
400/60-22.5	06684	BKT	648	16	\$1,559.00
500/45-22.5	06647	BKT	558	16	\$1,582.00
500/60-22.5	06648	BKT	648	16	\$1,615.00
550/45-22.5	06651	ALLIANCE	328 HI SPEED	16	\$1,640.00
	06702	ALLIANCE	331 TRACTION	16	\$1,658.00
	06718	BKT	648	16	\$1,577.00
550/60-22.5	06652	BKT	648	16	\$1,776.00
	06720	ALLIANCE	328	16	\$1,800.00
560/60R22.5	06707	MICHELIN	CARGOXBIB	161D	\$2,740.00
600/50-22.5	06656	BKT	648	16	\$1,985.00
	06685	ALLIANCE	331 TRACTION	18	\$2,149.00
	06697	ALLIANCE	328 MPF HI SPEED	16	\$2,262.00
600/50R22.5	06710	MICHELIN	CARGOXBIB	159D	\$2,882.00
600/55-22.5	06706	ALLIANCE	328	12	\$2,274.00
700/40-22.5	06657	BKT	648	16	\$2,636.00
	06729	ALLIANCE	328	16	\$3,073.00
700/50-22.5	06714	BKT	648	12	\$2,636.00
600/55-26.5	06658	BKT	648	16	\$2,622.00
700/50-26.5	06612	ALLIANCE	328	12	\$3,357.00
	06659	BKT	648	16	\$3,425.00
650/60-30.5	06719	ALLIANCE	328	16	\$3,054.00
650/65-30.5	06691	BKT	648	12	\$2,761.00
750/60-30.5	06616	ALLIANCE	328	12	\$3,742.00
	06692	BKT	648	12	\$3,672.00

Note all Softfoot turf tyres tubeless unless noted.



# SOFTFOOT

Turf care wheel equipment

COMPACT



L I N E



NEW

# XMCL

Resistant to shocks  
and punctures

Increased  
service life

Higher load  
capacity

Comfort and precision  
when manoeuvring



XMCL, the new MICHELIN COMPACT LINE tyre  
designed to increase your profitability



# Light Truck Tyres

## ► BIAS PLY TYRES

SIZE	CODE	BRAND	STYLE	PLY RATING	RRP EX GST
520-14	09000	MRF	TWIN TREAD HIGHWAY	6	\$131.00
650-14	09010	SUMO	ST888 MUD & SNOW (SET)	8	\$138.00
590-15	09001	MRF	TWIN TREAD HIGHWAY	6	\$140.00
640-15	09002	MRF	TWIN TREAD HIGHWAY	8	\$147.00
700-15	09034	SUMO	ST550 HIGHWAY (SET)	12	\$192.00
	09064	PRIMEX	TRAKMASTER 500	8	\$194.00
825-15	09037A	KOMET	LOW LOADER (SET)	14	\$501.00
600-16	09007	MRF	TWIN TREAD HIGHWAY	6	\$171.00
650-16	09014	SUMO	ST888 MUD & SNOW (SET)	8	\$192.00
750-16	09065	PRIMEX	HIGHWAY RIB	16	\$293.00
	09050	VIKRANT	L999 STAR LUG	16	\$315.00
	09016	DEESTONE	D503 MUD & SNOW T/T	8	\$223.00
	07560	PRIMEX	TRAKMASTER 500	14	\$247.00
825-16	09045	DEESTONE	D102 HIGHWAY T/T	14	\$351.00
	09055	MRF	SUPERLUG 78 T/T	16	\$351.00
	09051	BKT	BK826 CROSSLUG	18	\$320.00
12-16.5	09032	ALLIANCE	227 HIGHWAY	10	\$450.00
750-17	09033	HENMAN	HIGHWAY	10	\$435.00

## ► MILITARY TYRES

SIZE	CODE	BRAND	STYLE	PLY RATING	RRP EX GST
600-16	09006	MRF	NDMS MILITARY	6	\$171.00
700-16	09054	MRF	NDMS MILITARY	6	\$219.00
900-16	09062	MRF	NDMS MILITARY	12	\$414.00
	09063	BKT	BK 6060 NDMS	16	\$414.00

## ► RADIAL PLY LIGHT TRUCK TYRES

SIZE	CODE	BRAND	STYLE	PLY RATING	RRP EX GST
700R16	09036	MRF	ALL STEEL HIGHWAY	12	\$284.00
	09035	MRF	ALL STEEL DRIVE	12	\$284.00
750R16	09043	MRF	ALL STEEL HIGHWAY	14	\$309.00
	09044	MRF	ALL STEEL DRIVE	14	\$323.00



MRF Twin Tread



MRF Military



Primex Trakmaster



Sumo ST888



Sumo ST550

# Heavy Truck Tyres

## ► BIAS PLY TYRES

SIZE	CODE	BRAND	STYLE	PLY RATING	RRP EX GST
650-20	07500	MITAS	NB60 HIGHWAY	10	\$313.00
750-20	07505	MRF	SUPER MILER HIGHWAY	12	\$380.00
	07506	MRF	SUPERLUG 78 CROSSLUG	12	\$386.00
825-20	07509	MRF	SUPER MILER HIGHWAY	14	\$445.00
	07510	MRF	SUPERLUG 78 CROSSLUG	14	\$439.00
	07502	MITAS	NT8 TRACTION T/T	10	\$480.00
900-20	07515	MRF	SUPER MILER HIGHWAY	14	\$512.00
	07513	ALLIANCE	228 TRACTION	14	\$539.00
	07562	PRIMEX	TRAKMASTER500	10	\$530.00
1000-20	07519	MRF	SUPER MILER HIGHWAY	16	\$554.00
	07561	PRIMEX	TRAKMASTER500	12	\$537.00
1100-20	07527	MRF	SUPER MILER HIGHWAY	16	\$558.00
	07526	MRF	SUPERLUG 78 CROSSLUG	16	\$558.00
1200-20	07534	MRF	SUPERMILER	18	\$606.00
	07535	MRF	SUPERLUG 78 CROSSLUG	18	\$645.00
1100-22	07530	MRF	SUPER MILER HIGHWAY	16	\$603.00
	07531	MRF	SUPERLUG 78 CROSSLUG	16	\$660.00

## ► RADIAL TRUCK TYRES

SIZE	CODE	BRAND	STYLE	PLY RATING	RRP EX GST
900R20	07516	MRF	STEEL MUSCLE HIGHWAY	14	\$590.00
1000R20	07524	MRF	STEEL MUSCLE HIGHWAY	16	\$611.00
	07523	MRF	STEEL MUSCLE L DRIVE	16	\$616.00
1100R20	07529	MRF	STEEL MUSCLE HIGHWAY	16	\$726.00
	07528	MRF	STEEL MUSCLE L DRIVE	16	\$744.00
11R22.5	07533A	MRF	STEEL MUSCLE HIGHWAY	16	\$606.00
	07532	MRF	STEEL MUSCLE L DRIVE	16	\$651.00



Ceat Traction Grip



MRF Superlug 78



MRF Supermiler



MRF Steel Muscle Highway



MRF Steel Muscle L Drive



Vikrant L999

# Multi Purpose Tyres

## ► MPT STYLE RADIAL TYRES

SIZE	CODE	BRAND	STYLE	LOAD/SPEED	RRP EX GST
315/55R16	24014	CONTINENTAL	MPT81	120K	\$630.00
425/55R17	24049	CONTINENTAL	ALL GROUND	134G	\$1,159.00
10.50R20		SEE: 275/80R20			
275/80R20	24048	CONTINENTAL	MPT81	134K	\$833.00
12.5R20	24010	CONTINENTAL	MPT80	147J	\$1,152.00
14.5R20		SEE: 365/80R20	MPT80		
335/80R20	24021	CONTINENTAL	MPT81	147K	\$1,058.00
365/80R20	24023	CONTINENTAL	MPT81	152K	\$1,194.00
405/70R20	24029	MITAS	MPT21	152J	\$1,136.00

## ► HIGH SPEED TRACTOR LUG RADIAL TYRES

SIZE	CODE	BRAND	STYLE	LOAD/SPEED	RRP EX GST
265/70R16	24012	CONTINENTAL	AC70G	114G	\$633.00
285/80R16	24044	CONTINENTAL	AC70G	126G	\$728.00
425/55R17	24002	CONTINENTAL	AC70G	134G	\$966.00
325/70R18	24045	CONTINENTAL	AC70G	125G	\$928.00
335/80R18	24017	MICHELIN	XM27	132G	\$1,674.00
365/70R18	24003	CONTINENTAL	AC70G	132G	\$1,132.00
275/80R20	24052	CONTINENTAL	AC70G	131G	\$1,080.00
335/80R20	24020	CONTINENTAL	AC70G	134G	\$1,306.00
375/70R20	24004	CONTINENTAL	AC70G	136G	\$1,237.00
405/70R20	24025	ALLIANCE	A570	136G	\$1,113.00
	24026	CONTINENTAL	AC70G	136G	\$1,325.00
	24027	MICHELIN	XM47	136G	\$1,861.00
425/75R20	24030	CONTINENTAL	AC70G	148G	\$1,858.00
	24031	MICHELIN	XM47	148G	\$2,272.00
445/65R22.5	06668	CONTINENTAL	AC70G	160G	\$2,124.00
445/70R24	24037	ALLIANCE	A570	151G	\$2,165.00
	24038	MICHELIN	XM47	151G	\$3,066.00
495/70R24	24039	ALLIANCE	A570	155G	\$2,473.00
	24040	CONTINENTAL	AC70G	155G	\$2,470.00
	24041	MICHELIN	XM47	155G	\$3,596.00
495/70R30	24042	CONTINENTAL	AC70G	147G	\$2,585.00

## ► BIAS PLY MPT TYRES

SIZE	CODE	BRAND	STYLE	PLY/SPEED	RRP EX GST
12.5-20	10172	BKT	MP567	12PLY 90KPH	\$814.00
	10063	MITAS	MPT04	12PLY 50KPH	\$960.00
405/70-20	10096	MITAS	MPT02	14PLY 65KPH	\$1,166.00
	06641	MITAS	MPT05	14PLY 90KPH	\$1,166.00
	10095	MITAS	MPT04	14PLY 65KPH	\$1,325.00
	24007	MITAS	MPT01	14PLY 50KPH	\$1,658.00
18-22.5	07551	BKT	MP590	10PLY 50 KPH	\$1,580.00



Continental All Ground



Continental MPT81



Continental AC70G



Michelin XM47



Mitas MPT21

# Solid Tyre Fill Compound



**NO MORE FLAT TIRES  
GUARANTEED!**



# DON'T LET A FLAT BRING YOUR BUSINESS TO A GRINDING HALT

## THE SOLUTION FOR TYRES THAT ARE CONSTANTLY PUNCTURED



Flat tyres can be very, very expensive. Lost time, lost revenue, equipment replacement, but with the Rely® Tyre Fill System, you never have to worry about a flat tyre again.

The Rely® system works because tyres are filled with a liquid compound that cures to a soft rubber core within 24 hours.

Rely® filled tyres are nail-proof, slag-proof, even bullet-proof. And unlike conventional air filled tyres, tyres filled with Rely® are filled to the manufacturer's recommended pressure and will remain constant for the life of the tyre.



Rely® Tyre fill is suitable for anyone sick of the downtime associated with punctures. Industries where Rely® Tyre Fill is used include:

- » Forestry
- » Construction
- » Landfill/Transfer stations
- » Mining
- » Earthmoving



An alternative to tyre fill is the conversion of the machine to a solid industrial tyre. Increasingly popular in transfer station operations, this option has proven a reliable cost effective alternative.

# Rubber Tracks



- » TRS stocks a wide range of competitively priced, quality tracks to fit most makes and models of mini excavators.
- » All TRS rubber tracks are guaranteed for 12 months or 750 operating hours.
- » TRS offer free expert advice to assist in choosing the right track.
- » Overnight deliveries to most destinations from our Wanganui, Christchurch and Auckland locations.

## TRS STOCK TRACKS FOR:

- » Caterpillar
- » Kobelco
- » Takeuchi
- » Hitachi
- » Kubota
- » IHI
- » Sumitomo
- » Yanmar
- » Komatsu
- » FAI
- » Hanix
- » Furukawa
- » Airman
- » Bobcat
- » Daewoo



- » Phone: **0508 899 899** to discuss your Rubber Track requirements.

# Earthmoving, Backhoe & Grader Tyres



SIZE	CODE	BRAND	STYLE	PLY RATING/LOAD INDEX	RRP EX GST
17/8.00-8	10000	BRIDGESTONE	FM2	4	\$186.00
18/8.50-10	12120	BKT	H/D WIDEWALL SKIDPOWER T/L	8	\$182.00
20/8.00-10	10001	TITAN	HD2000 SKIDSTEER R4	4	\$260.00
20/10.00-10	10005	BRIDGESTONE	FM1	6	\$252.00
23/8.50-12	10006	BKT	H/D WIDEWALL SKIDPOWER T/L	6	\$223.00
27/10.00-12	10007	CONTINENTAL	IC30 MOFFAT	6	\$486.00
26/12.00-12	10053	BKT	H/D WIDEWALL SKIDPOWER T/L	12	\$229.00
23/8.50-14	10003A	CARLISLE	TRAC CHIEF	4	\$346.00
25/8.50-14	10203	GALAXY	SUPER INDUSTRIAL R4	6	\$380.00
27/8.50-15	10017	BKT	H/D WIDEWALL SKIDPOWER T/L	8	\$276.00
27/10.50-15	10018	BKT	H/D WIDEWALL SKIDPOWER T/L	8	\$306.00
31/15.50-15	10153	BAD DAWG	INDUSTRIAL	10	\$346.00
	10132	BKT	H/D WIDEWALL SKIDPOWER T/L	10	\$651.00
750-15	10054	BKT	SMOOTH COMPACTOR 2PC RIM	12	\$347.00
8.5/90-15	10010	BKT	SMOOTH COMPACTOR (8.5/90-15) 1 PC RIM	6	\$347.00
11.5/80-15.3	10081	MITAS	TRO3 T/L	14	\$492.00
12.4-16	10004	GOODYEAR	SURE GRIP	4	\$702.00
22.5L16.1	10147		SUPER SOFT R3	6	\$733.00
10-16.5	10021	BKT	H/D SKIDPOWER T/L	8	\$220.00
	10020A	BKT	H/D WIDEWALL SKIDPOWER T/L	10	\$323.00
	10030	BKT	H/D WIDEWALL SURETRAX T/L	10	\$375.00
	10029	BKT	H/D WIDEWALL POWERTRAX T/L	10	\$469.00
	10200	GLAXY	HULK L5	10	\$545.00
10R16.5	10214	MICHELIN	STABIL XZSL	128A5	\$713.00
12-16.5	10033	BKT	H/D WIDEWALL SKIDPOWER T/L	10	\$451.00
	10056	BKT	H/D WIDEWALL SURETRAX T/L	12	\$576.00
	10055	BKT	H/D WIDEWALL POWERTRAX T/L	12	\$631.00



**Alliance 533  
Industrial**



**Alliance 306**



**BKT MP 567**



**BKT PowerTrax  
HD**



**BKT SureTrax HD**



**BKT TR459**



**BKT XL Grip**

SIZE	CODE	BRAND	STYLE	PLY RATING/LOAD INDEX	RRP EX GST
12R16.5	10215	MICHELIN	STABIL XZSL	141A5	\$938.00
31.5/13-16.5	10037	BKT	H/D WIDEWALL SKIDPOWER T/L	10	\$512.00
33/15.5-16.5	10059	BKT	H/D WIDEWALL SKIDPOWER T/L	12	\$666.00
14-17.5	10084	BKT	H/D WIDEWALL SKIDPOWER T/L	14	\$886.00
	10161	TITAN	H/E SKID STEER	12	\$928.00
10.5/80-18	10182	BKT	AT603 INDUSTRIAL	10	\$604.00
12.5/80-18	10060	BKT	AT603 INDUSTRIAL	12	\$687.00
335/80R18 (12.5R18)	10211	MICHELIN	XZSL	151A2/139B	\$1,380.00
405/70R18	10116	MITAS	EM01 TL		\$1,307.00
15-19.5	10087	BKT	H/D WIDEWALL SKIDPOWER T/L	14	\$1,081.00
18-19.5	10106	MITAS	MPT02 INDUSTRIAL	16	\$1,487.00
10.5-20	10041	ALLIANCE	A321 INDUSTRIAL	10	\$774.00
12.5-20	10063	MITAS	NB38 MPT04	12	\$960.00
	10172	BKT	MP567 INDUSTRIAL	12	\$822.00
335/80R20 (12.5R20)	10212	MICHELIN	XZSL	153A2/141B	\$1,470.00
825-20	10088	BKT	EM936 INDUSTRIAL DIGGER T/T	14	\$568.00
900-20	10179	BKT	PACMASTER SMOOTH	14	\$624.00
	10090	BKT	EM936 INDUSTRIAL DIGGER T/T	14	\$619.00
1000-20	10108	BKT	EM936 INDUSTRIAL DIGGER T/T	16	\$675.00
1100-20	10181	ALLIANCE	210 SUPER TRANSPORT	16	\$785.00
	10110	DEESTONE	DC1 COMPACTOR SLICK ROLLER	16	\$952.00
	10180	BKT	PACMASTER SMOOTH	16	\$961.00
1200-20	12067	BKT	POWERTRAX SMOOTH	20	\$1,379.00
14/70-20	10066	YOKOHAMA	Y69 SLICK	12	\$2,429.00
16/70-20	10095	MITAS	NB38 MPT04	14	\$1,325.00
400/70R20	01488	MICHELIN	XMCL	149A8	\$1,823.00
(405/70-20)	10096	MITAS	TRO2 MPT02	14	\$1,325.00
	10094	BKT	MP567 INDUSTRIAL	14	\$976.00
	24047	MITAS	MPT01 T/L	149B	\$1,725.00
405/70R20	10213	MICHELIN	XZSL	155A2/143B	\$1,725.00
16.9/14-24	10049	BKT	TR459 INDUSTRIAL R4	10	\$826.00
	10174	BKT	TR461 INDUSTRIAL R4	14	\$1,271.00
	10070	MITAS	TIO4 INDUSTRIAL R4	12	\$1,193.00
440/80R24	01069	MICHELIN	XMCL	161B	\$2,571.00
17.5L24	10050A	BKT	TR459 INDUSTRIAL R4 T/L	12	\$917.00
18.4/15-24	10136	ALLIANCE	533 INDUSTRIAL R4	12	\$1,251.00
19.5L24	10152	BKT	TR459	12	\$1,205.00
	10175	BKT	TR461	12	\$1,417.00



**BKT AT603**



**BKT EM937**



**Bridgestone Fastgrip**



**BT Skidpower HD**



**Michelin XMCL**



**Michelin XZSL**

SIZE	CODE	BRAND	STYLE	PLY RATING/LOAD INDEX	RRP EX GST
405/70-24	24007	MITAS	MPT01 INDUSTRIAL (16/70-24)	14	\$1,658.00
	24046	MITAS	MPT04 T/L	14	\$1,725.00
460/70R24	01505	MICHELIN	XMCL	159B	\$2,782.00
500/70R24	01489	MICHELIN	XMCL	164B	\$2,904.00
1200-24	20024	SUMO	ST988 EM/LOADER	18	\$1,095.00
1300-24	20001	BKT	TRAC GRADER G2 TL	12	\$769.00
1400-24	20004	BKT	TRAC GRADER G2 TL	12	\$834.00
	20046	BKT	EM937	24	\$1,618.00
1600-24	20012	ALLIANCE	306 SUPER TRACTION G2	16	\$1,648.00
1400-25	20029	BKT	INDUSTRIAL DIGGER EM937	24	\$1,618.00
1600-25	20041	MRF	MUSCLEROK D EM L3 T/L	32	\$2,208.00
15.5-25	20009	MRF	MUSCLEROK L3 T/L	12	\$1,176.00
	20049	BKT	GR288 GRADER TL	12	\$1,127.00
17.5-25	20050	BKT	GR288 GRADER TL	16	\$1,201.00
	20052	BKT	XL GRIP E3/L3 T/L	16	\$1,448.00
	20056	PRIMEX	CONSTRUCTION & MINING L5	20	\$2,463.00
20.5-25	20051	BKT	GR288 GRADER TL	16	\$1,567.00
	20019	MRF	MUSCLEROK L3 T/L	16	\$2,110.00
	20047	BKT	XL GRIP LOADER E3	16	\$2,077.00
23.5-25	20044	BKT	XL GRIP LOADER	20	\$2,515.00
26.5-25	20036	MITAS	EM60 L3 T/L	32	\$4,479.00
18.4-26	10077	MITAS	T106 INDUSTRIAL R4	12	\$1,571.00
16.9/14-28	10079	MITAS	T106 INDUSTRIAL	12	\$1,058.00
	10142	BKT	TR459 INDUSTRIAL R4	12	\$1,068.00
	10176	BKT	TR461	14	\$1,482.00

## ▶ FAST GRIP TYRES

SIZE	CODE	BRAND	STYLE	PLY RATING	RRP EX GST
33/12.5-15	10019	BRIDGESTONE	FASTGRIP	8	\$886.00
14/65-15	10016	BRIDGESTONE	FASTGRIP	8	\$853.00
12.5/70-16	10012	BRIDGESTONE	FASTGRIP	6	\$662.00
12.5/65-18	10024	BRIDGESTONE	FASTGRIP	8	\$642.00
15.5/60-18	10025	BRIDGESTONE	FASTGRIP	8	\$1,141.00
15.5/70-18	10026	BRIDGESTONE	FASTGRIP	8	\$1,096.00
17.5/65-20	10045	BRIDGESTONE	FASTGRIP	10	\$1,507.00
42/17-20	10046	BRIDGESTONE	FASTGRIP	10	\$1,342.00



Mitas MPT01



Mitas MPT04



Mitas T106



Mitas EM60



MRF Musclerok



Musclerok D



Primex CML5

# Forestry Tyres

## ALLIANCE 345 FORESTAR



**A tough tyre for tough conditions**

### The Alliance 345 features:

- » Rugged construction featuring a steel reinforced carcass.
- » Massive shoulders and reinforced sidewall.
- » Special rubber compounds to prevent chipping and chunking.
- » Increased lug bar height.

SIZE	RIM	UNLOADED DIMENSION		LOADED STATIC RADIUS	ROLLING CIRCUM 2%	PR LOAD INDEX SPEED SYMBOL	INFL. PRESS	CONSTANT LOAD APPLICATION SPEED, km/h (mph) RECOMMENDED LOAD, kg (lbs)			
		SW	OD					LOGGING OR FORESTRY SERVICE		CABLE OR GRAPPLE SKIDDERS	
		mm in	mm in					30 19	40 25	BAR PSI	10 6
23.1-26	DW20A	587 23.1	1610 63.4	734 28.9	4781 188.2	16PR 160A6 172A2	2.4 35	4460 9820	4010 8830	2.75 40	6240 13740
28L-26	DW25A	715 28.1	1638 64.5	746 29.4	4861 191.4	16PR 160A6 172A2	1.9 28	4540 10000	4090 9010	2.3 33	6360 14010
30.5L-32	DW27A DH27	775 30.5	1847 72.7	846 33.3	5500 216.5	18PR 170A6 181A2	2.05 30	6000 13220	5400 11890	2.4 35	8250 18170

### » AGRI-FOREST TYRES

SIZE	CODE	BRAND	STYLE	PLY RATING	RRP EX GST
13.6/12-24	31035	ALLIANCE	356 FORESTRY	10	\$1,090.00
14.9/13-24	31036	ALLIANCE	356 FORESTRY	14	\$1,336.00
14.9/13-28	31029	ALLIANCE	356 FORESTRY	14	\$1,431.00
16.9/14-28	31030	ALLIANCE	356 FORESTRY	14	\$1,739.00
16.9/14-34	31031	ALLIANCE	356 FORESTRY	14	\$2,006.00
18.4/15-34	31032	ALLIANCE	356 FORESTRY	14	\$2,361.00
18.4/15-38	31033	ALLIANCE	356 FORESTRY	14	\$2,547.00
20.8-38	31034	ALLIANCE	356 FORESTRY	14	\$3,008.00

### » WIDE PROFILE FORWARDER / HARVESTER TYRE

SIZE	CODE	BRAND	STYLE	PLY RATING	RRP EX GST
400/60-15.5	31040	ALLIANCE	328 FORESTRY	14	\$771.00
500/60-26.5	31027	ALLIANCE	331 FORESTRY	16	\$3,014.00

### » SKIDDER / HAULER TYRES

SIZE	CODE	BRAND	STYLE	PLY RATING	RRP EX GST
23.1-26	31057	ALLIANCE	FORESTAR LS2	16	\$3,674.00
28L26	31042	ALLIANCE	FORESTAR LS2	16	\$4,286.00
30.5L32	31041	ALLIANCE	FORESTAR LS2	18	\$6,768.00



Alliance 345 Forestar



Alliance 356 Forestry



Alliance 331 Forestry

# ATV Tyres



- » TRS stock the widest range of ATV tyre sizes to suit every application.
- » High performance tyres at affordable prices.
- » A greater variety of tread patterns for outstanding performance and durability.

SIZE	CODE	BRAND	STYLE	LOAD/SPEED	RRP EX GST
18/9.50-8	22176	CARLISLE	TURF TAMER	4	\$152.00
18/11.00-8	22179	TITAN	FAST TREKKER	4	\$164.00
20/7.00-8	18026	BKT	AT108 SPORTS	4	\$112.00
20/11.00-8	22181	CARLISLE	TURF TAMER	4	\$191.00
22/11.00-8	18000	BKT	AT109 SPORTS	2	\$92.00
	18023	BKT	AT108 SPORTS	4	\$109.00
	18040	BKT	W207	6	\$125.00
22/12.00-8	22183	CARLISLE	FIELD TRAX	4	\$209.00
22.5/10.00-8	22184	CARLISLE	TURF TAMER	4	\$209.00
	22185	CARLISLE	FIELD TRAX	4	\$209.00
22/10.00-9	18025	BKT	AT108 SPORTS	4	\$112.00
20/11.00-9	22187	CARLISLE	TURF TAMER	4	\$201.00
22/11.00-9	18002	BKT	AT108 SPORTS	4	\$112.00
	18028	BKT	W207	6	\$128.00
25/12.00-9	18001	BKT	AT109 SPORTS	2	\$102.00
	18024	BKT	AT108 SPORTS	4	\$122.00
	18041	BKT	W207	6	\$148.00
	22242	CARLISLE	TURF TAMER	4	\$193.00
25/13.00-9	18010	BKT	AT108 SPORTS	6	\$133.00
	18039	BKT	W207	6	\$169.00
	22224	CARLISLE	FIELD TRAX	4	\$230.00
18/8.50-10	22225	CARLISLE	FIELD TRAX	4	\$148.00
18/11.00-10	22244	CARLISLE	BADLANDS SPORTS	2	\$197.00
22/7.00-10	18037	BKT	W207	6	\$109.00
22/8.00-10	18011	BKT	AT108 SPORTS	6	\$92.00
	18042	BKT	W207	6	\$120.00
22/11.00-10	18004	BKT	AT108 SPORTS	4	\$104.00
23/7.00-10	22226	CARLISLE	AT489	6	\$141.00
23/8.00-10	18005	BKT	AT108 SPORTS	4	\$97.00



Carlisle Turf Tamer



Carlisle Field Trax



A **PROVEN** PERFORMER IN NEW ZEALAND CONDITIONS

**W207**

**ALL TERRAIN TRACTION  
DESIGNED TO WORK HARD IN  
THE HARSHTEST OF CONDITIONS**

**PROVEN**

The BKT W207 range of ATV tyres has already proven exceptionally popular amongst New Zealand farmers since its introduction earlier this year.

**PROVEN**

BKT W207 has proven to be one of the most aggressive tread styles available in NZ.

**PROVEN**

BKT W207 has proven to be ideal for our steep muddy conditions and has impressed many farmers with its outstanding traction and self cleaning ability.

**PROVEN**

BKT W207's proven popularity also features highly with NZ farmers because of its 6-ply rating, extra load capacity and puncture resistance.



SIZE	CODE	BRAND	STYLE	LOAD/SPEED	RRP EX GST
24/9.50-10	18046	CARLISLE	ALL TRAIL	2	\$244.00
24/10.50-10	18045	CARLISLE	ALL TRAIL	2	\$248.00
24/11.00-10	18006	BKT	AT108 SPORTS	4	\$128.00
25/11.00-10	18035	BKT	W207	6	\$150.00
25/12.00-10	18012	BKT	AT108 SPORTS	6	\$148.00
22/7.00-11	18027	BKT	AT108 SPORTS	4	\$93.00
23/8.00-11	18013	BKT	AT108 SPORTS	6	\$95.00
	18029	BKT	W207	6	\$113.00
24/8.00-11	18007	BKT	AT108 SPORTS	4	\$101.00
	18032	BKT	W207	6	\$120.00
24/9.00-11	18014	BKT	AT108 SPORTS	6	\$112.00
	18033	BKT	W207	6	\$131.00
24/10.00-11	18008	BKT	AT108 SPORTS	4	\$114.00
	18031	BKT	W207	6	\$136.00
24/8.00-12	18036	BKT	W207	6	\$123.00
25/8.00-12	18015	BKT	AT108 SPORTS	6	\$106.00
	18030	BKT	W207	6	\$123.00
25/10.00-12	18018	BKT	AT108 SPORTS	6	\$121.00
	18034	BKT	W207	6	\$133.00
25/11.00-12	18043	BKT	W207	6	\$141.00
26/12.00-12	18038	BKT	W207	6	\$208.00

TRS offer free expert advice and technical assistance to help in making the right ATV tyre decision.



**BKT AT108**



**BKT AT109**

# BKT

## PACKAGE BUYS

Our package buys are proving to be an exceptionally popular way of saving on front and rear ATV tyres.

Save \$\$ when buying a package of 4.

These popular packages cover most popular makes and models of ATV.

DESCRIPTION	SIZE	RRP	SPECIAL
 BKT AT108 Order Code: ATV001	Front: 25/8.00-12 Rear: 25/10.00-12	\$106.00 each \$121.00 each	PHONE FOR SPECIAL PRICING
 BKT AT108 Order Code: ATV002	Front: 23/8.00-11 Rear: 24/9.00-11	\$95.00 each \$112.00 each	PHONE FOR SPECIAL PRICING
 BKT AT108 Order Code: ATV003	Front: 24/9.00-11 Rear: 25/10.00-12	\$112.00 each \$121.00 each	PHONE FOR SPECIAL PRICING
 BKT AT108 Order Code: ATV004	Front: 24/8.00-11 Rear: 24/10.00-11	\$101.00 each \$114.00 each	PHONE FOR SPECIAL PRICING
 BKT AT108 Order Code: ATV011	Front : 24/8.00-11 Rear: 25/10.00-12	\$101.00 each \$121.00 each	PHONE FOR SPECIAL PRICING
 BKT W207 Order Code: ATV005	Front: 25/8.00-12 Rear: 25/10.00-12	\$123.00 each \$133.00 each	PHONE FOR SPECIAL PRICING
 BKT W207 Order Code: ATV006	Front: 23/8.00-11 Rear: 24/9.00-11	\$113.00 each \$131.00 each	PHONE FOR SPECIAL PRICING
 BKT W207 Order Code: ATV007	Front: 24/9.00-11 Rear: 25/10.00-12	\$131.00 each \$133.00 each	PHONE FOR SPECIAL PRICING
 BKT W207 Order Code: ATV008	Front: 24/8.00-11 Rear: 24/10.00-11	\$120.00 each \$136.00 each	PHONE FOR SPECIAL PRICING
 BKT W207 Order Code: ATV009	Front: 24/8.00-12 Rear: 24/9.00-11	\$123.00 each \$131.00 each	PHONE FOR SPECIAL PRICING
 BKT W207 Order Code: ATV010	Front: 24/8.00-12 Rear 24/10.00-11	\$123.00 each \$136.00 each	PHONE FOR SPECIAL PRICING
 BKT W207 Order Code: ATV012	Front: 26/12.00-12 Rear: 26/12.00-12	\$208.00 each \$208.00 each	PHONE FOR SPECIAL PRICING
 BKT W207 Order Code: ATV013	Front: 25/10.00-12 Rear: 25/11.00-12	\$133.00 each \$141.00 each	PHONE FOR SPECIAL PRICING

# Press On Bands

SIZE	CODE	BRAND	BLACK	NON MARK	RRP EX GST
10 x 4 x 6½	16000	PRIMEX	S		\$77.00
13 x 4½ x 8	16065	MARANGONI	T		\$233.00
14 x 4½ x 8	16464	GLOBESTAR	S		\$144.00
	16465	GLOBESTAR	T		\$144.00
	16508	GLOBESTAR		S	\$168.00
	16466	GLOBESTAR		T	\$168.00
	16514	CONTINENTAL	T		\$236.00
	16515	CONTINENTAL	S		\$236.00
	16516	CONTINENTAL		S	\$288.00
200/50-10	16507	CONTINENTAL	S		\$506.00
14 x 5 x 10½	NI0350	ANJIE	S		\$262.00
16 x 5 x 10½	16460	GLOBESTAR	T		\$185.00
	16461	GLOBESTAR		T	\$199.00
	16476	GLOBESTAR	S		\$215.00
	16477	GLOBESTAR		S	\$230.00
	16496	CONTINENTAL	T		\$288.00
	16495	CONTINENTAL		T	\$357.00
16 X 6 X 10½	16467	GLOBESTAR	S		\$169.00
	16468	GLOBESTAR		S	\$225.00
	16109	GLOBESTAR	T		\$185.00
	16110	GLOBESTAR		T	\$246.00
	16500	CONTINENTAL		T	\$306.00
	16517	CONTINENTAL	T		\$236.00
	16518	CONTINENTAL	S		\$236.00
	16519	CONTINENTAL		S	\$411.00
15 x 5 x 11¼	16055	PRIMEX	T		\$167.00
	16054	PRIMEX		T	\$252.00
	16494	CONTINENTAL	T		\$293.00
	16493	CONTINENTAL		S	\$306.00
	16071	MARANGONI	T		\$238.00
	16072	MARANGONI		T	\$306.00
16¼ X 6 X 11¼	16469	GLOBESTAR	S		\$167.00
	16470	GLOBESTAR		S	\$179.00
	16073	MARANGONI	T		\$265.00
	16074	MARANGONI		T	\$330.00
	16111	GLOBESTAR	T		\$173.00
	16112	GLOBESTAR		T	\$221.00
	16520	CONTINENTAL	T		\$235.00
	16521	CONTINENTAL	S		\$235.00
	16522	CONTINENTAL		S	\$357.00
18 X 5 X 12½	16501	CONTINENTAL		S	\$306.00
18 X 6 X 12½	16057	PRIMEX		T	\$260.00
	16076	MARANGONI		T	\$362.00
	16113	GLOBESTAR	T		\$240.00
	16114	GLOBESTAR		T	\$260.00
	16509	GLOBESTAR	S		\$240.00
	16510	GLOBESTAR		S	\$260.00
	16523	CONTINENTAL	T		\$270.00
	16524	CONTINENTAL		T	\$403.00
	16525	CONTINENTAL	S		\$270.00
	16526	CONTINENTAL		S	\$403.00
18 X 7 X 12½	16077	MARANGONI	T		\$300.00
	16078	MARANGONI		T	\$375.00
	16115	GLOBESTAR	T		\$233.00
	16116	GLOBESTAR		T	\$253.00
	16511	GLOBESTAR		S	\$253.00
	16527	CONTINENTAL	T		\$322.00
	16528	CONTINENTAL	S		\$299.00
	16529	CONTINENTAL		S	\$495.00
18 X 8 X 12½	16478	GLOBESTAR	S		\$232.00
	16079	MARANGONI	T		\$359.00
	16080	MARANGONI		T	\$412.00
	16117	GLOBESTAR	T		\$278.00
	16512	GLOBESTAR	S		\$278.00

(S=SMOOTH, T=TREAD)



Continental Smooth



Continental Treaded

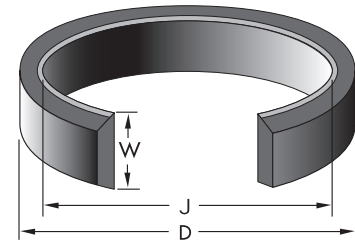
SIZE	CODE	BRAND	BLACK	NON MARK	RRP EX GST	
18 x 8 x 12½	16513	GLOBESTAR		S	\$351.00	
	16499	CONTINENTAL	T		\$430.00	
	16530	CONTINENTAL	S		\$430.00	
18 x 9 x 12½	16531	CONTINENTAL		S	\$551.00	
	16034	PRIMEX		T	\$415.00	
	16081	MARANGONI	T		\$378.00	
	16082	MARANGONI		T	\$472.00	
21 x 7 x 15	16118	GLOBESTAR	T		\$300.00	
	16471	GLOBESTAR	S		\$282.00	
	16472	GLOBESTAR		S	\$323.00	
	16119	GLOBESTAR	T		\$282.00	
	16120	GLOBESTAR		T	\$354.00	
	16532	CONTINENTAL	T		\$344.00	
	16534	CONTINENTAL	S		\$344.00	
	16533	CONTINENTAL		T	\$549.00	
	16535	CONTINENTAL		S	\$549.00	
	21 x 8 x 15	16473	GLOBESTAR	S		\$332.00
16474		GLOBESTAR		S	\$419.00	
16085		MARANGONI	T		\$397.00	
16121		GLOBESTAR	T		\$332.00	
16122		GLOBESTAR		T	\$439.00	
16502		CONTINENTAL		T	\$557.00	
16536		CONTINENTAL	T		\$385.00	
16357		CONTINENTAL	S		\$385.00	
16538		CONTINENTAL		S	\$557.00	
21 x 9 x 15		16491	CONTINENTAL	S		\$610.00
22 x 8 x 16		16498	CONTINENTAL		S	\$731.00
22 x 8 x 16		16462	GLOBESTAR	S		\$332.00
	16463	GLOBESTAR		S	\$439.00	
	16504	GLOBESTAR	T		\$332.00	
	16492	CONTINENTAL	T		\$591.00	
	16503	CONTINENTAL		T	\$534.00	
	16088	MARANGONI	T		\$569.00	
22 x 9 x 16½	16505	GLOBESTAR	T		\$347.00	
	16506	GLOBESTAR		T	\$366.00	
22 x 12 x 16	16497	CONTINENTAL	S		\$920.00	

(S=SMOOTH, T=TREAD)



## How to Indicate Dimensions

W: Tyre width  
D: Outside diameter  
J: Rim diameter

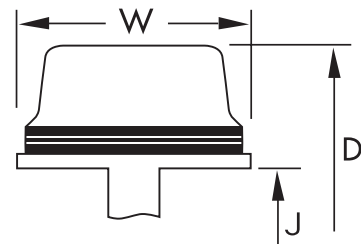


TYPE	INDICATION	EXAMPLE
Imperial	DxWxJ	18x8x12*
Metric	DxWJ	457x203-308

### 3 MEASUREMENTS ARE REQUIRED:

The tyre diameter, the tyre base width and the wheel diameter.

If the tyre is so worn that size markings cannot be read, the size can be determined by measuring the width of the tyre's base band (W) and the inside diameter of the base band (J).



# Pneumatic Forklift

## BIAS PLY

SIZE	CODE	BRAND	STYLE	PLY RATING	REC RIM WIDTH	RRP EX GST
500-8	12000	BKT	PL801 (SET)	8	3	\$94.00
	12082	BKT	POWER TRAX (SET)	10	3	\$114.00
	12110	CONTINENTAL	IC40 DEEP TREAD	8	3	\$169.00
18/7.00-8	12047	BKT	PL801 (SET)	16	4	\$132.00
	12046	BKT	POWER TRAX (SET)	16	4	\$164.00
600-9	12006	BKT	PL801 (SET)	10	4	\$136.00
	12005	BKT	POWER TRAX (SET)	10	4	\$181.00
	12111	CONTINENTAL	IC40 DEEP TREAD	12	4	\$219.00
700-9	12009	ARMOUR	L6	12	5	\$260.00
21/8.00-9	12026	BKT	PL801 (SET)	14	6	\$204.00
650-10	12011	BKT	PL801 (SET)	10	5	\$164.00
	12010	BKT	POWER TRAX (SET)	10	5	\$215.00
	12112	CONTINENTAL	IC40 DEEP TREAD	14	5	\$276.00
23/9.00-10	12058	BKT	POWER TRAX (SET)	20	7	\$380.00
450-12	12565	BRIDGESTONE	PNEUMATIC			\$238.00
700-12	12015	BKT	PL801 (SET)	12	5	\$209.00
	12028	BKT	POWER TRAX (SET)	14	5	\$292.00
	12113	CONTINENTAL	IC40 DEEP TREAD	14	5	\$336.00
825-12	12016	ARMOUR	L6	12	7	\$300.00
27/10.00-12	12114	BKT	POWER TRAX (SET)	16	8	\$486.00
700-15	12017	BKT	PL801 (SET)	12	6	\$284.00
750-15	12034	BKT	PL801 (SET)	14	7	\$327.00
815-15	12036	BKT	PL801 (SET)	14	7	\$332.00
(28/9.00-15)	12037	BKT	POWER TRAX (SET)	14	7	\$426.00
	12119	CONTINENTAL	IC40E DEEP	14	7	\$585.00
28/12.50-15	12130	GALAXY	YARDMASTER TT	20	9.75	\$529.00
825-15	12040	BKT	POWER TRAX (SET)	14	7	\$491.00
	12041	BKT	PL801 (SET)	14	7	\$385.00
	12117	CONTINENTAL	IC40E DEEP	18	7	\$794.00
200-15	14490	CONTINENTAL	IC12	12	5	\$365.00
250-15	12060	BKT	PL801 (SET)	20	7	\$478.00
	12061	BKT	POWER TRAX (SET)	20	7	\$570.00
	12118	CONTINENTAL	IC40E DEEP	18	7	\$672.00
300-15	12057	BKT	PL801 (SET)	18	8	\$585.00
	12063	BKT	POWER TRAX (SET)	20	8	\$690.00
	12102	GALAXY	YARDMASTER (SET)	20	8	\$760.00
	12115	CONTINENTAL	IC40E DEEP	22	8	\$1,049.00
355/65-15	12116	CONTINENTAL	IC40E DEEP	24	9.75	\$1,415.00
1000L15	12052	BKT	POWER TRAX HD	16	7.5	\$691.00
750-16	12127	GALAXY	YARDMASTER	16	6	\$538.00
750-20	07506	MRF	SUPERLUG	12	6	\$386.00
825-20	07510	MRF	SUPERLUG	14	7	\$439.00
900-20	12131	GALAXY	YARDMASTER (SET)	14	7	\$759.00
1000-20	12053	BKT	POWER TRAX	16	8	\$780.00
1200-20	12066	BKT	POWER TRAX TREAD (SET)	20	9	\$1,379.00
	12067	BKT	POWER TRAX SMOOTH (SET)	20	9	\$1,379.00
1200-24	12138	GALAXY	DWL LUG TT	24	8.5	\$1,553.00
1400-24	12139	GALAXY	DVL LUG TT	28	10	\$1,984.00
1600-25	10171	BKT	INDUSTRIAL SLICK	32	11.25/2.5	POA
	20039	ALLIANCE	309 PORT	32	11.25/2.5	POA
1800-25	10164	MRF	MUSCLEROK SLICK	40	13.00/2.5	POA

## RADIAL

600R9	13501	CONTINENTAL	CONRAD HT	12	4	\$375.00
	13509	CONTINENTAL	IC80	12	4	\$396.00
650R10	13502	CONTINENTAL	CONRAD HT	14	5	\$534.00
225/75R10	13511	CONTINENTAL	CONRAD HT	20	6.5	\$551.00
700R12	13503	CONTINENTAL	CONRAD HT	16	5	\$566.00
	13514	CONTINENTAL	CONRAD	16	5	\$653.00
165R13	13515	CONTINENTAL	CONRAD			\$515.00
750R15	13504	CONTINENTAL	CONRAD HT	16	6/6.5	\$845.00
	13519	CONTINENTAL	CONRAD			\$860.00
815R15	13510	CONTINENTAL	CONRAD HT	16	7	\$940.00
250/70R15	13513	CONTINENTAL	CONRAD HT	18	7/7.5	\$1,213.00
825R15	13505A	CONTINENTAL	CONRAD	18	7	\$1,208.00
	13506A	CONTINENTAL	CONRAD	22	8	\$1,927.00
355/65R15	13518	CONTINENTAL	CONRAD HT	24		\$1,773.00
1000R20	13507	CONTINENTAL	CONRAD HT	18	8	\$1,490.00
1200R20	13508	CONTINENTAL	CONRAD	20	9	\$1,937.00

**IMPORTANT.** All Radial Forklift tyres are designed to fit rims manufactured to withstand the load & inflation pressure of radial tyres. Please ensure rims are suited to Radial tyres & if unsure contact TRS for advice.



Galaxy DWL

Alliance 309

BKT PL801

BKT Power Trax

Continental IC40

Continental  
Conrad HT

Continental  
Conrad

# Solid Tyres

SIZE	CODE	BRAND	STYLE	BLACK	NON MARK	CLICK	ANTI STAT	RRP EX GST
300-4	14501	CONTINENTAL	MIL	○				\$121.00
400-8	16475	GLOBESTAR	SOLID	○				\$116.00
500-8	14284	GLOBESTAR	SOLID	○				\$139.00
	14191	MARANGONI	ELTOR E4	○				\$233.00
	14405	GLOBESTAR	SOLID	○		○		\$146.00
	14252	MARANGONI	ELTOR V4	○		○		\$198.00
	14431	CONTINENTAL	CSE ROBUST SC18	○				\$160.00
	14285	GLOBESTAR	SOLID		○			\$190.00
	14406	GLOBESTAR	SOLID		○	○		\$199.00
	14491	CONTINENTAL	SC15		○			\$317.00
125/75-8	14424	GLOBESTAR	SOLID	○				\$113.00
(15X4½-8)	14432	CONTINENTAL	CSE ROBUST SC18	○				\$116.00
(15/4.50-8)	14433	CONTINENTAL	CSE ROBUST SC18	○		○		\$122.00
	14194	MARANGONI	ELTOR V4	○		○		\$116.00
	14425	GLOBESTAR	SOLID		○			\$132.00
	14476	CONTINENTAL	SC15		○	○		\$263.00
	14395	GLOBESTAR	SOLID		○	○		\$141.00
16/6.00-8	14286	GLOBESTAR	SOLID	○				\$151.00
	14505	CONTINENTAL	SC15	○				\$261.00
	14407	GLOBESTAR	SOLID	○		○		\$153.00
	14466	CONTINENTAL	SC15	○		○		\$317.00
	14287	GLOBESTAR	SOLID		○			\$184.00
	14495	CONTINENTAL	SC15		○			\$284.00
	14408	GLOBESTAR	SOLID		○	○		\$196.00
	14467	CONTINENTAL	SC15		○	○		\$378.00
	14255	MARANGONI	ELTOR V4		○	○		\$263.00
18/7.00-8	14288	GLOBESTAR	SOLID	○				\$173.00
(180/70-8)	14434	CONTINENTAL	CSE ROBUST SC18	○				\$212.00
	14198	MARANGONI	ELTOR E4	○				\$222.00
	14409	GLOBESTAR	SOLID	○		○		\$191.00
	14435	CONTINENTAL	CSE ROBUST SC18	○		○		\$227.00
	14485	CONTINENTAL	SC15	○			○	\$453.00
	14410	GLOBESTAR	SOLID		○	○		\$258.00
	14289	GLOBESTAR	SOLID		○			\$246.00
	14494	CONTINENTAL	SC15		○			\$374.00
	14468	CONTINENTAL	SC15		○	○		\$439.00
	14519	CONTINENTAL	SH12 SMOOTH		○	○		\$439.00
140/55-9	14487	CONTINENTAL	SC15	○				\$312.00
	14488	CONTINENTAL	SC15		○	○		\$316.00
600-9	14290	GLOBESTAR	SOLID	○				\$196.00
	14436	CONTINENTAL	CSE ROBUST SC18	○				\$267.00
	14201	MARANGONI	ELTOR E4	○				\$275.00
	14411	GLOBESTAR	SOLID	○		○		\$219.00
	14203	MARANGONI	ELTOR A4	○			○	\$339.00
	14204	MARANGONI	ELTOR V4	○		○		\$289.00
	14483	CONTINENTAL	SC15	○		○	○	\$612.00
	14397	GLOBESTAR	SOLID		○			\$252.00
	14412	GLOBESTAR	SOLID		○	○		\$259.00
	14202	MARANGONI	ELTOR V4		○			\$352.00
	14257	MARANGONI	ELTOR V4		○	○		\$362.00
	14492	CONTINENTAL	SC15		○			\$454.00

Used solid tyres returned to TRS for pressing and disposal will incur a disposal fee. Please enquire at time of order for details.



Marangoni Eltor E4



Marangoni Eltor E3



Globestar Treaded

SIZE	CODE	BRAND	STYLE	BLACK	NON MARK	CLICK	ANTI STAT	RRP EX GST
21/8.00-9	14291	GLOBESTAR	SOLID	○				\$271.00
	14455	CONTINENTAL	SC15	○				\$407.00
	14213	MARANGONI	ELTOR E4	○				\$385.00
	14413	GLOBESTAR	SOLID	○		○		\$281.00
	14470	CONTINENTAL	SC15	○		○		\$561.00
	14484	CONTINENTAL	SC15	○		○	○	\$769.00
	14292	GLOBESTAR	SOLID 6.0"		○			\$380.00
	14214	MARANGONI	ELTOR V4		○			\$507.00
	14526	CONTINENTAL	SC15		○			\$635.00
	14414	GLOBESTAR	SOLID		○	○		\$334.00
650-10	14471	CONTINENTAL	SC15		○	○		\$635.00
	14293	GLOBESTAR	SOLID	○				\$259.00
	14437	CONTINENTAL	CSE ROBUST SC18	○				\$352.00
	14415	GLOBESTAR	SOLID	○		○		\$278.00
	14207	MARANGONI	ELTOR A4	○			○	\$482.00
	14398	GLOBESTAR	SOLID		○			\$374.00
	14416	GLOBESTAR	SOLID CLICK		○	○		\$319.00
	14259	MARANGONI	ELTOR V4		○	○		\$489.00
	14502	CONTINENTAL	SC15		○			\$558.00
	14493	CONTINENTAL	SC15		○	○		\$577.00
23/9.00-10 (225/75-10)	14379	GLOBESTAR	SOLID	○				\$371.00
	14211	MARANGONI	ELTOR E4	○				\$512.00
	14522	CONTINENTAL	SC18	○				\$391.00
	14509	CONTINENTAL	SC15	○		○		\$552.00
	14426	GLOBESTAR	SOLID		○			\$500.00
	14260	MARANGONI	ELTOR V4		○	○		\$665.00
	14274	MARANGONI	ELTOR V4		○			\$665.00
	14504	CONTINENTAL	SC15		○	○		\$794.00
200/50-10	14438	CONTINENTAL	CSE ROBUST SC18	○				\$233.00
	14477	CONTINENTAL	SC18	○		○		\$325.00
	14209	MARANGONI	ELTOR V4	○		○		\$325.00
	14417	GLOBESTAR	SOLID		○	○		\$312.00
	14472	CONTINENTAL	SC15		○	○		\$526.00
700-12	14294	GLOBESTAR	SOLID	○				\$335.00
	14418	GLOBESTAR	SOLID	○		○		\$351.00
	14439	CONTINENTAL	CSE ROBUST SC18	○				\$457.00
	14440	CONTINENTAL	CSE ROBUST SC18	○		○		\$465.00
	14429	MARANGONI	ELTOR EL SLICK	○				\$506.00
	14218	MARANGONI	ELTOR A4	○			○	\$596.00
	14219	MARANGONI	ELTOR V4	○		○		\$506.00
	14399	GLOBESTAR	SOLID		○			\$392.00
	14419	GLOBESTAR	SOLID		○	○		\$413.00
	14217	MARANGONI	ELTOR V4		○			\$620.00
14261	MARANGONI	ELTOR V4		○	○		\$633.00	
23/10.00-12	14523	CONTINENTAL	SC10	○				\$731.00
23/10.00-12	14473	CONTINENTAL	SC10	○		○		\$769.00
	14279	MARANGONI	ELTOR E3	○		○		\$530.00
	14474	CONTINENTAL	SC10		○	○		\$887.00
27/10.00-12	14478	CONTINENTAL	SC18	○		○		\$995.00
	14220	MARANGONI	ELTOR E4	○				\$790.00
	14221	MARANGONI	ELTOR V4	○		○		\$828.00
	14262	MARANGONI	ELTOR V4		○			\$899.00
	14475	CONTINENTAL	SC15		○	○		\$1,213.00
14263	MARANGONI	ELTOR V4		○	○		\$930.00	

Used solid tyres returned to TRS for pressing and disposal will incur a disposal fee. Please enquire at time of order for details.



Continental SC15



Continental SC18



Innovative. Quick. Simple.



**The Industrial Tyre Revolution**  
**Super Elastic Tyre fitting with no press**

CSEasy is the first Super-Elastic tyre that requires no fitting press. Two hands and a torque wrench are all you need.

**Press-less fitment**

An innovative adapter sits between the tyre and the rim. Thanks to its conical shape, the tyre is already in position for direct fitment onto the rim using a system of screws fastened with a torque wrench.

**More flexibility**

- No press required, fitted in situ with no time delay
- No need to hold rims in stock, no exchange systems, no special tools
- Easy fitting – two hands and a torque wrench is all you need
- Adapter can be reused several times

**More performance**

Real operational benefits compared to conventional Super-Elastic tyres: optimised fit, durability, rolling resistance, energy consumption, steering reaction, stability and reduced heat build-up.



Business Unit Industrial Tyres

**Continental**

SIZE	CODE	BRAND	STYLE	BLACK	NON MARK	CLICK	ANTI STAT	RRP EX GST	
700-15	14297	GLOBESTAR	SOLID 5.5"	○				\$428.00	
	14396	GLOBESTAR	SOLID 6.0"	○				\$428.00	
	14390	GLOBESTAR	SOLID 5.5"		○			\$500.00	
	14531	CONTINENTAL	SC15	○				\$794.00	
815-15 (28/9.00-15) (225/75-15)	14298	GLOBESTAR	SOLID	○				\$426.00	
	14443	CONTINENTAL	CSE ROBUST SC18	○				\$546.00	
	14481	CONTINENTAL	SC18	○		○		\$757.00	
	14482	CONTINENTAL	SC15	○		○	○	\$1,009.00	
	14223	MARANGONI	ELTOR E4	○				\$613.00	
	14400	GLOBESTAR	SOLID		○			\$544.00	
	14267	MARANGONI	ELTOR V4		○			\$748.00	
825-15	14268	MARANGONI	ELTOR V4		○	○		\$794.00	
	14299	GLOBESTAR	SOLID	○				\$699.00	
	14441	CONTINENTAL	CSE ROBUST SC18	○				\$774.00	
	14442	CONTINENTAL	CSE ROBUST SC18	○		○		\$906.00	
	14225	MARANGONI	ELTOR E4	○				\$923.00	
	14226	MARANGONI	ELTOR V4	○		○		\$971.00	
	14401	GLOBESTAR	SOLID		○			\$961.00	
	14269	MARANGONI	ELTOR V4		○			\$1,175.00	
	14270	MARANGONI	ELTOR V4		○	○		\$1,193.00	
	250-15	14295	GLOBESTAR	SOLID	○				\$570.00
14420		GLOBESTAR	SOLID	○		○		\$599.00	
14444		CONTINENTAL	CSE ROBUST SC18 7.0"	○				\$680.00	
14444A		CONTINENTAL	CSE ROBUST SC18 7.5"	○				\$680.00	
14479		CONTINENTAL	SC18	○		○		\$997.00	
14222		MARANGONI	ELTOR V4	○		○		\$730.00	
14402		GLOBESTAR	SOLID		○			\$673.00	
14186		MAXXIS	M8900		○			\$879.00	
14421		GLOBESTAR	SOLID		○	○		\$757.00	
14265		MARANGONI	ELTOR V4		○			\$892.00	
14266		MARANGONI	ELTOR V4		○	○		\$919.00	
300-15 (315/70-15)		14296	GLOBESTAR	SOLID	○				\$884.00
		14422	GLOBESTAR	SOLID	○		○		\$927.00
		14445	CONTINENTAL	CSE ROBUST SC18	○				\$946.00
	14480	CONTINENTAL	SC18	○		○		\$1,308.00	
	14227	MARANGONI	ELTOR E4	○				\$1,137.00	
	14228	MARANGONI	ELTOR V4	○		○		\$1,193.00	
	14403	GLOBESTAR	SOLID		○			\$1,040.00	
	14423	GLOBESTAR	SOLID		○	○		\$1,090.00	
	14275	MARANGONI	ELTOR V4		○			\$1,479.00	
	14503	CONTINENTAL	SC15		○	○		\$1,525.00	
	355/65-15	14446	CONTINENTAL	SC15	○				\$1,464.00
		14159	CONTINENTAL	SC15	○		○		\$1,691.00
		14272	MARANGONI	ELTOR E3	○				\$1,228.00
14273		MARANGONI	ELTOR E3	○		○		\$1,374.00	
28/12.50-15	14469	CONTINENTAL	SC15	○		○		\$1,208.00	
	14271	MARANGONI	ELTOR E4	○				\$926.00	
900-20	14300	GLOBESTAR	SOLID 7"	○				\$1,211.00	
	14300A	GLOBESTAR	SOLID 6.5"	○				\$1,211.00	
1000-20	14301	GLOBESTAR	SOLID	○				\$1,565.00	
	14447	CONTINENTAL	CSE ROBUST SC18 (7.5" RIM)	○				\$1,595.00	
	14448	CONTINENTAL	CSE ROBUST SC18 (8.0" RIM)	○				\$1,618.00	
	14230	MARANGONI	ELTOR E3 (7.5" RIM)	○				\$1,623.00	
1200-20	14231	MARANGONI	ELTOR E3 (8.0" RIM)	○				\$2,110.00	
	14232	MARANGONI	ELTOR E3 (8.5" RIM)	○				\$2,153.00	
	14404	GLOBESTAR	SOLID (8.5" RIM)	○				\$1,793.00	
	14486	CONTINENTAL	SC15 10"	○				\$3,644.00	
	14532	CONTINENTAL	SC15 8.0"	○				\$3,214.00	
	14533	CONTINENTAL	SC15 8.5"	○				\$3,272.00	
355/50-20	14456	CONTINENTAL	SH12 SMOOTH	○		○		\$1,786.00	
1200-24	14449	CONTINENTAL	CSE ROBUST SC15 (8.5" RIM)	○				\$2,806.00	
1400-24	14450	CONTINENTAL	CSE ROBUST SC15 (10.5" RIM)	○				\$4,142.00	

Used solid tyres returned to TRS for pressing and disposal will incur a disposal fee. Please enquire at time of order for details.

# GLOBE STAR

EXPORTERS OF SOLID AND PRESS ON BAND TYRES



RESILIENT SOLID TYRES

PRESS ON BAND TYRES



**Global Rubber Industries (Pvt) LTd**

65/3 D.S. Fonseka Rd, Colombo 5, SRI LANKA  
Tel General - 94112598831, 94112555484  
Fax - 94112551091, 94112597842  
Email : [globalrubber@amaseuro.com](mailto:globalrubber@amaseuro.com)  
Web : <http://www.amaseuro.com>

For more product details please visit [www.amaseuro.com](http://www.amaseuro.com)



# Bias Ply Inner Tubes

Bias Ply tubes for Agricultural, implement, industrial and truck.

Please note our freight policy on tubes. For orders of less than 3 units a small freight surcharge will apply. Orders of three or more tubes are freighted free of charge.

SIZE	CODE	STYLE	RRP EX GST
300-4	27036	TR13	\$14.00
	27035	TR87	\$14.00
410/350-5	27036A	TR87	\$14.00
13/5.00-6	27038	TR13	\$19.00
	27038A	TR87	\$19.00
15/6.00-6	27039	TR13	\$19.00
350-8	27040	TR13	\$10.00
400-8	27041	TR13	\$14.00
16/6.50-8	27044	TR13	\$22.00
18/8.50-8	27046	TR13	\$22.00
22/11.00-8	27047	TR4	\$28.00
600-9	27048	TR13	\$20.00
25/12.00-9	27051	TR4	\$30.00
500-10	27052	TR13	\$17.00
20.0, 20.5/8.00-10	27055	TR13	\$31.00
ER10	27420	TR13	\$16.00
FR12	27067	TR13	\$20.00
400-12	27058	TR13	\$20.00
700-12	27059	TR75A	\$24.00
10.0/80-12	27062	TR15	\$32.00
23/10.50-12, 26/12.00-12	27064	TR15	\$32.00
26/12.00-12	27065	TR13	\$32.00
FR13	27069	TR13	\$20.00
GR13	27070	TR13	\$17.00
700-12, 900-13	27061	TR15	\$38.00
FR14	27075	TR13	\$22.00
GR14	27076	TR13	\$20.00
6-14, 7-14	27072	TR13	\$28.00
8.5/9.5L14/15	27073	TR15	\$32.00
11L14	27074	TR15	\$38.00
200/60-14.5	27376A	TR15	\$73.00
FR15	27077	TR13	\$22.00
GR15	27078	TR13	\$22.00
KR15	27079	TR13	\$29.00
MR15	27080	TR13	\$38.00
400/500/590-15	27083	TR15	\$26.00
11L15/16, 29X1200-15	27090	TR15	\$41.00
10/11R15	27088	TR13	\$42.00
10/11R15	27089	TR218A	\$44.00
12.5L15/16	27093	TR15	\$43.00
12.5L15/16	27092	TR218	\$70.00
12.5R15	27091	TR13	\$50.00
27/8.50/10.50-15	27094	TR15	\$48.00
700/750R15	27085	TR75A	\$38.00
10.0/75-15.3	27098	TR15	\$47.00
11.5/12.5/80-15.3	27099	TR15	\$48.00
290/80-389	27100	TR15	\$48.00
400/60-15.5 (Agri only)	27102	TR15	\$78.00
GR16	27116	TR13	\$26.00
500/550/600-16	27105	TR15	\$25.00
650/700-16	27105A	TR75A	\$25.00
700/750-16	27106	TR13	\$32.00
700/750R16	27107	TR75A	\$41.00
750/8-16	27108	TR15	\$32.00
825R16	27109	TR75A	\$48.00
900R16	27110	TR75A	\$58.00
900-16	27111	TR15	\$38.00
1000-16	27112	TR15	\$44.00
1100-16	27113	TR15	\$47.00
13.0/75 14/65-16	27115	TR15	\$68.00
13.50-16.1, 16.5L16.1	27118	TR15	\$82.00
18.4-16.1, 21.5L16.1	27119	TR218A	\$132.00
10-16.5	27120	TR15	\$49.00
12-16.5	27121	TR15	\$54.00

SIZE	CODE	STYLE	RRP EX GST
15.0/55-17	27122	TR15	\$78.00
19.0/45-17, 500/50-17	27123	TR15	\$110.00
750R18	27127	TR75A	\$62.00
750/8-18	27126	TR15	\$44.00
8/9-18	27128	TR15	\$56.00
10.5/80-18	27129	TR15	\$56.00
12.5/80-18	27130	TR15	\$70.00
12.5/80-18	27399	TR218A	\$73.00
15.0/70-18	27132	TR15	\$91.00
400-19	27133	TR15	\$23.00
600-19	27134	TR15	\$31.00
650/700/750-20	27136	TR75A	\$50.00
825-20	27401A	TR75A	\$43.00
825R20	27401	TR77A	\$43.00
	27401B	TR75A	\$43.00
900R20 (825R20)	27140	TR78A/ TR175A	\$48.00
1000R20	27142	TR78A	\$54.00
	27142A	TR177	\$54.00
1100/1200R20	27387A	TR179A	\$80.00
750/8.3-20	27137	TR15	\$48.00
8.3/9.5-20	27139	TR15	\$47.00
	27139A	TR218	\$47.00
10.5-20	27143	TR15	\$54.00
12.5/80-20	27403	TR218A	\$98.00
1200-20	27147	TR78A	\$97.00
1400-20	27427	TR218A	\$94.00
1400R20	27148	TR78A	\$103.00
16.0/70-20	27157	TR15	\$118.00
16.0/70-20	27159	TR75A	\$118.00
16.0/70-20	27158	TR218A	\$118.00
8.3/9-22	27167	TR218A	\$56.00
8.3/9-24	27173	TR218A	\$55.00
11.2/12.4-24	27178	TR218A	\$72.00
1200-24	27182	TR179A	\$118.00
13.6-24, 14.9-24	27183	TR218A	\$80.00
16.9-24, 17.5L24	27189	TR218A	\$97.00
23.1-26	27210	TR218A	\$194.00
11.2-28, 12.4-28	27223	TR218A	\$77.00
13.6-28, 14.9-28	27228	TR218A	\$95.00
16.9-28	27234	TR218A	\$109.00
14.9-30	27241	TR218A	\$106.00
16.9-30, 18.4-30	27240	TR218A	\$125.00
23.1-30	27250	TR218A	\$232.00
8.3/9.5-32	27253	TR218A	\$95.00
11.2-32	27421	TR218A	\$94.00
12.4-32	27257	TR218A	\$104.00
30.5L32	27264	30.5L32	\$365.00
16.9/18.4-34	27271	TR218A	\$134.00
23.1-34	27276	TR218A	\$290.00
7.2-36	27279	TR218A	\$118.00
8.3-36	27424	TR218A	\$95.00
9.5-36	27283	TR218A	\$103.00
11.2/12.4/13.6-36	27285	TR218A	\$96.00
11.2/12.4/13.6-38	27375	TR218A	\$97.00
13.6/14.9/15.5-38	27293	TR218A	\$121.00
16.9/18.4-38	27300	TR218A	\$170.00
20.8-38	27305	TR218A	\$230.00
9.5/11.2-42	27391	TR218A	\$155.00
18.4-42	27422	TR218A	\$214.00
8.3-44	27426	TR218A	\$108.00
12.4/13.6-46	27344	TR218A	\$217.00
14.9-46	27326	TR218A	\$217.00
9.5-48	27425	TR218A	\$144.00

All prices exclude GST and are recommended retail prices only. TRS reserve the right to change prices without prior notice. Please confirm prices prior to quoting.

Tubes

# Radial/Heavy Tubes

## » MICHELIN GROUP RADIAL FARM TUBES

SIZE	CODE	ALSO FITS	BRAND	STYLE	RRP EX GST
260/70R16	27117	280/70R16	MICHELIN GROUP		\$65.00
12.5R18	27131	12.5R20, 12.4R20	MICHELIN GROUP		\$84.00
9.5R20	27141	260/70R20, 280/70R20	MICHELIN GROUP		\$82.00
10.5R20	27144	11.2R20, 300/70R20, 320/70R20	MICHELIN GROUP	TR218A	\$82.00
10.5R20	27146	12.5R20, 275/80R20, 335/80R20	MICHELIN GROUP	TR15	\$96.00
14.5R20	27153	340/75R20 360/70R20 375/75R20 405/70R20 425/75R20 14.9R20	MICHELIN GROUP	TR15	\$124.00
14.9R20	27165	360/70R20, 400/70R20, 340/75R20, 375/75R20	MICHELIN GROUP	TR15	\$106.00
1200R20	27387	365/80R20 14.5R20	ARAGORN	TR78A	\$103.00
	27149	20Q 14.5R20, 365/80R20	MICHELIN GROUP	TR78A/TR177A	\$124.00
1300R20	27152	1400R20	MICHELIN GROUP	TR78A/TR177A	\$137.00
1600R20	27161	425/75R20	MICHELIN GROUP	TR78A/TR177A	\$190.00
8.3R24	27174	9.5R24	MICHELIN GROUP	TR218A	\$80.00
11.2R24	27180	12.4R24, 320/70R24	MICHELIN GROUP	TR218A	\$100.00
12.4R24	27404	320/70R24 360/70R24	VIKING	TR218A	\$100.00
	27405	360/70R24	VIKING	TR218A	\$101.00
13.6R24	27406	380/70R24	VIKING	TR218A	\$102.00
14.9R24	27407	420/70R24	VIKING	TR218A	\$102.00
	27191	400/70R24, 420/70R24, 440/65R24	MICHELIN GROUP	TR218A	\$113.00
16.9R24	27194	460/70R24 480/70R24 540/65R24	MICHELIN GROUP	TR218A	\$142.00
16.9R26	27206	480/70R26	MICHELIN GROUP	TR218A	\$168.00
18.4R26	27208	520/70R26 580/70R26	MICHELIN GROUP	TR218A	\$187.00
9.5R28	27219		MICHELIN GROUP	TR218A	\$90.00
11.2R28	27408	320/70R28	VIKING	TR218A	\$90.00
	27224		MICHELIN GROUP	TR218A	\$103.00
12.4R28	27409	360/70R28	VIKING	TR218A	\$104.00
	27227	360/70R28	MICHELIN GROUP	TR218A	\$127.00
13.6R28	27230	380/70R28	MICHELIN GROUP	TR218A	\$127.00
14.9R28	27410	420/70R28	VIKING	TR218A	\$115.00
	27232	420/70R28, 440/65R28	MICHELIN GROUP	TR218A	\$136.00
16.9R28	27411	480/70R28	VIKING	TR218A	\$118.00
	27237	480/70R28, 480/70R28, 540/65R28	MICHELIN GROUP	TR218A	\$166.00
600/65R28	27239		MICHELIN GROUP	TR218A	\$271.00
14.9R30	27242	420/70R30	MICHELIN GROUP	TR218A	\$162.00
16.9R30	27412	480/70R30	VIKING	TR218A	\$133.00
18.4R30	27413	520/70R30	VIKING	TR218A	\$140.00
	27249	520/70R30	MICHELIN GROUP	TR218A	\$193.00
8.3R32	27254	9.5R32	MICHELIN GROUP	TR218A	\$101.00
9.5R32	27255A		VIKING		\$77.00
11.2R32	27256	270/95R32	MICHELIN GROUP	TR218A	\$126.00
12.4R32	27258	320/85R32	MICHELIN GROUP	TR218A	\$131.00
24.5R32	27260	30.5R32 650/75R32 680/75R32 800/65R32 900/60R32	MICHELIN GROUP	TR218A	\$438.00
16.9R34	27414	480/70R34	VIKING	TR218A	\$146.00
	27272	480/70R34, 540/65R34	MICHELIN GROUP	TR218A	\$190.00
18.4R34	27415	520/70R34	VIKING	TR218A	\$150.00
	27275	520/70R34, 600/65R34	MICHELIN GROUP	TR218A	\$210.00
23.1R34	27277	600/65R34, 650/75R34	MICHELIN GROUP	TR218A	\$316.00
8.3R36	27282	9.5R36	MICHELIN GROUP	TR218A	\$103.00
11.2R36	27286	12.4R36, 11.2R38	MICHELIN GROUP	TR218A	\$125.00
13.6R36	27288		MICHELIN GROUP	TR218A	\$168.00
11.2R38	27430		MICHELIN GROUP	TR218A	\$127.00
14.9R38	27416	16.9R38 420/85R38 480/70R38	VIKING	TR218A	\$178.00
	27301	16.9R38 420/85R38 480/70R38	MICHELIN GROUP	TR218A	\$203.00
15.5R38	27299		MICHELIN GROUP	TR218A	\$160.00
18.4R38	27417	520/70R38	VIKING	TR218A	\$210.00
	27302	520/70R38 540/65R38	MICHELIN GROUP	TR218A	\$230.00
20.8R38	27418	580/70R38	VIKING	TR218A	\$227.00
	27307	580/70R38 600/65R38 650/65R38	MICHELIN GROUP	TR218A	\$290.00
650/85R38	27309	650/75R38 710/70R38	MICHELIN GROUP	TR218A	\$410.00
16.9R42	27315	18.4R42	MICHELIN GROUP	TR218A	\$290.00
20.8R42	27317	620/70R42	MICHELIN GROUP	TR218A	\$359.00
710/70R42	27319	900/50R42	MICHELIN GROUP	TR218A	\$486.00
8.3R44	27320	9.5R44, 230/95R44	MICHELIN GROUP	TR218A	\$137.00
11.2R44	27323A		VIKING	TR218A	\$121.00
	27323	270/95R44	MICHELIN GROUP	TR218A	\$152.00
12.4R46	27325	300/95R46	MICHELIN GROUP	TR218A	\$203.00
14.9R46		380/90R46, 420/80R46, 425/85R46	MICHELIN GROUP	TR218A	\$306.00
18.4R46	27331	20.8R46 480/80R46 520/85R46	MICHELIN GROUP	TR218A	\$328.00
9.5R48	27333	230/95R48	MICHELIN GROUP	TR218A	\$194.00
11.2R48	27335	270/95R48 340/85R48	MICHELIN GROUP	TR218A	\$222.00
12.4R52	27337	300/95R52 270/95R54 320/90R54	MICHELIN GROUP	TR218A	\$239.00
11.2R54	27338	270/95R54 300/95R54, 320/90R50, 320/90R54	MICHELIN GROUP	TR218A	\$239.00

## » SOFTFOOT SPECIALIST TUBES

SIZE	CODE	STYLE	RRP EX GST
400/55-17.5	27125	TR15	\$127.00
600/50-22.5	27171	TR218A	\$287.00
600/55-30.5	27252		\$594.00

## » FORESTRY TUBES

SIZE	CODE	STYLE	RRP EX GST
400/60-15.5	27103	TR150A	\$163.00
18.4-26	27209		\$244.00
23.1-26	27212/13		\$446.00
24.5-32	27261		\$500.00

# Industrial Tubes, Flaps and O-Rings

## » FORKLIFT TUBES

SIZE	CODE	STYLE	RRP EX GST
500-8	27042	JS2	\$22.00
18/7.00-8	27045	JS2	\$23.00
600-9	27049	JS2	\$22.00
21/8.00-9	27050	JS2	\$22.00
650-10	27053	JS2	\$23.00
23/9.00-10	27057	JS2	\$29.00
700-12	27060	TR75A	\$25.00
27/10.00-12	27066	JS2	\$34.00
700-15	27084	TR75A	\$29.00
815-15	27086	TR75A	\$30.00
825-15	27087	TR75A	\$41.00
250-15	27081	TR75A	\$30.00
300-15	27082	TR75A	\$41.00
825-16	27087A	TR177A	\$41.00

## » EARTHMOVER, GRADER TUBES

SIZE	CODE	ALSO FITS	STYLE	RRP EX GST
1300-24	27185	1400-24	TR1175	\$152.00
KM24	27197	KM25	TR218A	\$152.00
1600-24	27192	1600-25	TRJ1175	\$236.00
1800-24	27196	1800-25		\$264.00
1300/1400-25	27198		TRJ1175C	\$144.00
15.5-25	27200		TRJ1175C	\$230.00
17.5-25	27201		TRJ1175C	\$230.00
20.5-25	27202		TRJ1175C	\$299.00
23.5-25	27203		TRJ1175C	\$326.00
26.5-25	27204		TRJ1175C	\$290.00

## » O-RINGS

SIZE	CODE	STYLE	RRP EX GST
20 INCH	27339	6.6MM	\$35.00
24 INCH	27027	SMALL	\$23.00
25 INCH	27028	SMALL	\$23.00
25 INCH	27030	LARGE	\$23.00
32.5 INCH	27031	LARGE	\$23.00
33 INCH	27032	LARGE	\$23.00

## » FLAPS

SIZE	CODE	ALSO FITS	STYLE	RRP EX GST
500-8	27000		FORKLIFT	\$8.00
600-9	27001		FORKLIFT	\$8.00
650-10	27002		FORKLIFT	\$8.00
23/9.00-10	27003			\$13.00
700-12	27004		FORKLIFT	\$13.00
27/10.00-12	27005			\$20.00
250-15	27358	300-15		\$16.00
700-15	27006	7.50-15	FORKLIFT	\$13.00
815-15	27007	8.25-15	FORKLIFT	\$13.00
10.00-15	27008		BRIDGESTONE	\$97.00
650-16	27009	700-16, 750-16, 900-16		\$16.00
750-17	27010			\$24.00
10.5-18	27011	12.5-18		\$16.00
280-20	27017			\$68.00
700-20	27013	750-20		\$16.00
900-20	27014	1000-20, 1100-20		\$16.00
16-20	27016	320-20	TAURUS	\$68.00
1300-24	27021	1400-24		\$53.00
15.5-25	27024	17.5-25		\$102.00
20.5-25	27025			\$77.00
23.5-25	27026			\$115.00
1200R24	27019			\$72.00
1200-24	27020	1400-24		\$53.00
1600-24	27022	1600-25		\$77.00
1800-24	27023	1800-25		\$83.00



TR15



TR13



TR218A



TR75A, TR177



TR592



TR618A



TRSP2



TRJ670



TRJ650/668



JS2



V3-14-3

*about quality*



CAR TYRE CHANGERS



TRUCK TYRE CHANGERS



WHEEL BALANCERS



 **SICE**  
AUTOMOTIVE EQUIPMENT

# Passenger Car Tyre Changers

## S 408

### SEMI-AUTOMATIC TYRE CHANGER



- › Clamping ability 11" to 22" outside, 13" to 24" inside
- › Single speed turntable
- › Simple robust side swing tool head
- › Models with and without GP airblast
- › Optimum performance and Italian quality at an affordable price

## S 415

### SEMI-AUTOMATIC TYRE CHANGER



- › Single speed turntable
- › Pneumatically operated tilting post
- › Simultaneous pneumatic horizontal and vertical arm locking
- › Powerful bead breaker

## S 419

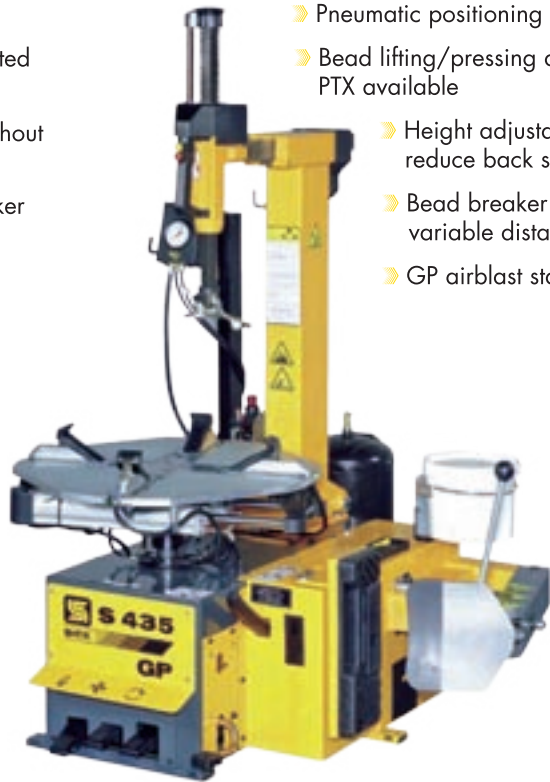
### AUTOMATIC TYRE CHANGER



- › Clamping ability 11 to 22" outside 13 to 24" inside
- › Standard 2 speed turntable
- › Pneumatically operated tilting post
- › Models with and without GP airblast
- › Powerful bead breaker with double acting pneumatic cylinder

## S 435

### SUPERAUTOMATIC TYRE CHANGER



- › Clamping ability 12 to 24" outside 14 to 26" inside
- › Heavy Duty Machine
- › Pneumatically overturned vertical post
- › Pneumatic positioning of the turret
- › Bead lifting/pressing device PTX available
- › Height adjustable turntable reduce back strain
- › Bead breaker support with variable distance and angle
- › GP airblast standard

# Truck and Agricultural Tyre Changers

## \$520 TRUCK TYRE CHANGER

- › Suitable for truck and bus tyres
- › 14.5" to 24.5" clamping ability
- › Max wheel dia 1400mm
- › Two rollers for bead breaking, mounting and demounting
- › Integrated control unit



## \$545 UNIVERSAL SEMI-AUTOMATIC TRUCK TYRE CHANGER

- › Suitable for truck, bus and agricultural tyres
- › 14" to 56" clamping ability
- › Max wheel dia 2300mm
- › Universal self centering chuck
- › Clockwise and anti clockwise rotation of chuck
- › Automatic tool arm tilt back
- › Portable control unit



## \$550 UNIVERSAL AUTOMATIC TRUCK TYRE CHANGER

- › Suitable for truck, bus and agricultural tyres
- › 14" to 56" clamping ability
- › Max wheel dia 2500mm
- › Universal self centering chuck
- › Simultaneous movement of spindle carrier and tool arm
- › Automatic rotation of tool arm head
- › Clockwise and anti clockwise rotation of chuck



# Wheel Balancers

## \$616 ELECTRONIC COMPUTERISED WHEEL BALANCER

- › Electronic microprocessor controlled.
- › Max wheel dia 900mm
- › Max rim dia 23"
- › Max rim width 20"
- › Max wheel weight 65kg
- › Available in hand spin and motorised



## \$680 ELECTRONIC COMPUTERISED WHEEL BALANCER

- › Suited to car, light commercial, truck and bus wheels
- › Standard with pneumatic wheel lifter
- › Automatic acquisition of imbalance
- › Pneumatic braking device for end cycle stop
- › 8 Balancing Modes
- › Maximum wheel diameter 1,320mm
- › Maximum rim width 20"



## \$626 ELECTRONIC COMPUTERISED WHEEL BALANCER

- › 16-bit data microprocessor with self calibration and diagnostic functions
- › User friendly simple-touch data entry
- › Very low RPM for guaranteed fast work cycles.
- › Max rim dia 25"
- › Max wheel weight 65kg



### THE SICE / TRS COMMITMENT

Sice automotive equipment is acknowledged worldwide for quality and reliability. In New Zealand the Sice range of Italian manufactured tyre changers is distributed and supported by TRS, the country's leading supplier of tyres and wheels to the agricultural and industrial sectors. Available in a wide range of models, Sice product is competitively priced to suit a variety of applications. Supported by an extensive spare parts inventory, TRS also stock a huge range of tyre changer accessories. Sice is fully supported by TRS providing a 12 month manufacturer's warranty. TRS also trade-in any older machines in reasonable condition regardless of brand. Models featured in this brochure are representative of products readily available. Information on other Sice tyre changer products can be obtained by calling TRS.

# Dual Wheel Components

## ► SPACER BANDS AND POWER RAILS - PRICING IS PER PAIR OF BANDS AND/OR POWER RAILS

DIAMETER	BANDS ONLY 200MM	WITH POWER RAILS	BANDS ONLY 250MM	WITH POWER RAILS	BANDS ONLY 300MM	WITH POWER RAILS	BANDS ONLY 350MM	WITH POWER RAILS	BANDS ONLY 400MM	WITH POWER RAILS	POWER RAILS SEPARATELY
20"	\$364.00	\$538.00	\$440.00	\$614.00	\$475.00	\$550.00	\$394.00	\$650.00	\$424.00	\$599.00	\$324.00
24"	\$384.00	\$575.00	\$476.00	\$666.00	\$519.00	\$590.00	\$420.00	\$709.00	\$458.00	\$648.00	\$340.00
28"	\$405.00	\$611.00	\$512.00	\$718.00	\$563.00	\$630.00	\$447.00	\$769.00	\$491.00	\$697.00	\$356.00
30"	\$415.00	\$622.00	\$530.00	\$736.00	\$584.00	\$644.00	\$773.00	\$790.00	\$896.00	\$1,102.00	\$356.00
32"	\$426.00	\$648.00	\$548.00	\$771.00	\$606.00	\$671.00	\$773.00	\$828.00	\$896.00	\$1,118.00	\$371.00
34"	\$437.00	\$659.00	\$567.00	\$789.00	\$628.00	\$685.00	\$773.00	\$850.00	\$896.00	\$1,118.00	\$371.00
36"	\$447.00	\$685.00	\$584.00	\$822.00	\$649.00	\$709.00	\$773.00	\$887.00	\$896.00	\$1,134.00	\$387.00
38"	\$457.00	\$703.00	\$602.00	\$848.00	\$671.00	\$729.00	\$773.00	\$917.00	\$896.00	\$1,142.00	\$395.00
42"	\$478.00	\$732.00	\$639.00	\$893.00	\$715.00	\$766.00	\$792.00	\$969.00	\$1,013.00	\$1,266.00	\$402.00
44"	\$489.00	\$759.00	\$657.00	\$927.00	\$737.00	\$790.00	\$792.00	\$1,007.00	\$1,013.00	\$1,283.00	\$418.00
46"	\$499.00	\$777.00	\$675.00	\$953.00	\$758.00	\$810.00	\$792.00	\$1,036.00	\$1,013.00	\$1,291.00	\$426.00
48"	\$509.00	\$795.00	\$693.00	\$979.00	\$780.00	\$829.00	\$792.00	\$1,066.00	\$1,013.00	\$1,298.00	\$434.00
50"	\$520.00	\$814.00	\$711.00	\$1,005.00	\$802.00	\$849.00	\$792.00	\$1,095.00	\$1,013.00	\$1,306.00	\$441.00
52"	\$530.00	\$832.00	\$729.00	\$1,031.00	\$823.00	\$870.00	\$792.00	\$1,125.00	\$1,013.00	\$1,314.00	\$449.00
54"	\$540.00	\$850.00	\$747.00	\$1,057.00	\$845.00	\$890.00	\$792.00	\$1,155.00	\$1,013.00	\$1,322.00	\$457.00

## ► SPARE PARTS

DESCRIPTION	CODE	COBRA	SNAPLOK
CLAMP	42037/42071	\$52.00	\$127.00
EYENUT	See table	\$31.00	\$31.00
HOOK	42062	\$31.00	\$31.00
ROD	42068	\$31.00	\$31.00
COMPLETE ASSEMBLY		\$145.00	\$220.00

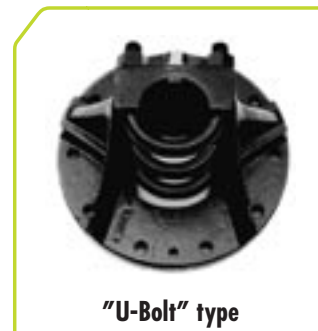
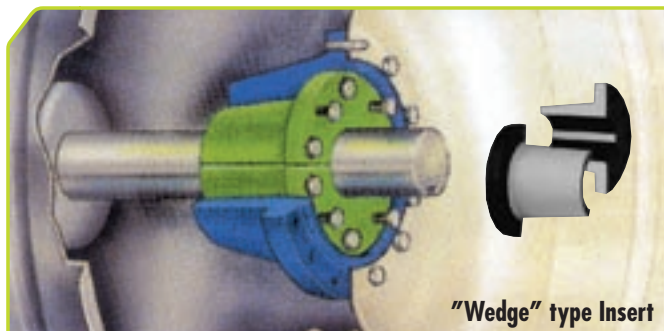
## ► EYENUT MOUNTING BUSHES

(To suit "B" EyenuT)	42056	\$16.00	\$16.00
Bolts to suit above	50054	\$6.00	\$6.00

## ► EYENUT CODES

STYLE	CODE	THREAD
A	42044	M16X1.5MM
B	42045	M16X2.0MM
C	42047	5/8 UNF
D	42048	5/8 UNC
E	42049	M18X1.5MM
F	42050	M18X2.5MM
G	42051	M20X2.5MM
H	42052	3/4 UNF
I	42053	3/4 UNC
J	42054	M18X2.0MM
K	42055	M14X1.5MM

# Bar Axle Hub Dual Wheels



Bar Axle Hub Dual wheel systems are designed for large horsepower tractors with a factory "bar axle" and may be fitted as an alternative to Cobra or Snaplok systems.

Two types are available with the "Wedge" type offering easier adjustability to the "U bolt" system.

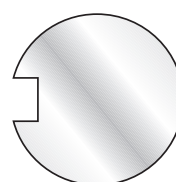
Bar Axle Dual systems are available to suit most tractors, but please note in some circumstances the bar axle length may not be sufficient to accommodate Bar axle duals. Snaplok or Cobra duals should be fitted in such cases.

Please enquire with TRS for pricing on Bar Axle Dual wheel systems.

## ► HOW DO I ORDER?

Just call freephone 0508 899 899 and

- Specify the tractor make and model
- Specify the axle size & length
- Specify if the wheels are 8, 9 or 10 stud.



axle size  
101.6mm  
4"

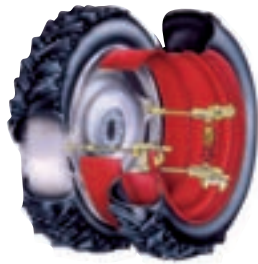
# Snaplok and Cobra Dual Systems



The Snaplok clamp is a quick release over-centre action type.

All that is required is to locate the hook onto the eyenut, position the clamp on the Power-rail and pull the clamp tight by its unique over centre action.

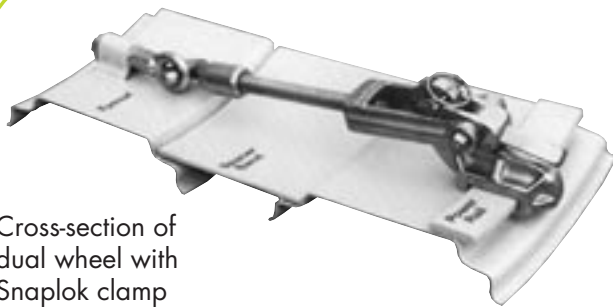
This is very quick for farmers removing and fitting their duals regularly.



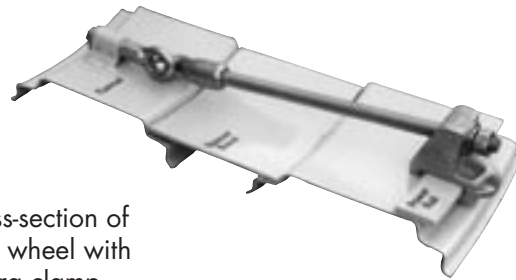
The Cobra clamp is primarily designed for the farmer who doesn't need to take his duals off or put them on frequently.

The componentry is identical to the Snaplok clamp, except that the threaded rod passes through the hole in the clamp.

Tightening is done by winding a nut up against the clamp, pulling everything tight.



Cross-section of dual wheel with Snaplok clamp



Cross-section of dual wheel with Cobra clamp

TRS Dual wheel systems are supported by a wide range of loose componentry and spare parts.

DIAMETER	SIZE	TYRE BRAND	PLY RATING LOAD/SPEED	CLAMPS PER WHEEL	COBRA KIT EXCEL TYRES & TUBES	FULL KIT	SNAPLOCK KIT EXCEL TYRES & TUBES	FULL KIT
12"	See Note 1	TO CLIENT SPEC	TBC	3 (Mini Dual)	POA	POA	POA	POA
24"	8.3-24	BKT	6	2	\$2,663.00	\$3,417.00	\$3,099.00	\$3,853.00
	9.5-24	BKT	8	2	\$2,828.00	\$3,766.00	\$3,269.00	\$4,207.00
	11.2-24	BKT	8	2	\$2,830.00	\$3,606.00	\$3,271.00	\$4,047.00
	12.4-24	BKT	8	2	\$2,830.00	\$3,662.00	\$3,271.00	\$4,103.00
	13.6-24	BKT	8	2	\$2,868.00	\$3,904.00	\$3,311.00	\$4,347.00
28"	14.9-24	BKT	8	2	\$2,868.00	\$3,932.00	\$3,311.00	\$4,375.00
	11.2-28	BKT	8	2	\$2,801.00	\$3,647.00	\$3,241.00	\$4,087.00
	12.4-28	BKT	8	2	\$2,801.00	\$3,823.00	\$3,241.00	\$4,263.00
	13.6-28	BKT	8	3	\$3,052.00	\$4,092.00	\$3,672.00	\$4,712.00
	13.6R28	BKT	123A8	3	\$3,052.00	\$5,042.00	\$3,672.00	\$5,662.00
	13.6R28	ALLIANCE/TAURUS	123A8	3	\$3,052.00	\$5,178.00	\$3,672.00	\$5,798.00
	14.9-28	BKT	8	3	\$3,052.00	\$4,174.00	\$3,672.00	\$4,794.00
	14.9R28	BKT	128A8	3	\$3,052.00	\$5,260.00	\$3,672.00	\$5,880.00
	14.9R28	ALLIANCE/TAURUS	128A8	3	\$3,052.00	\$5,576.00	\$3,672.00	\$6,196.00
	16.9-28	BKT	12	3	\$3,296.00	\$5,014.00	\$3,924.00	\$5,642.00
30"	16.9R28	BKT	136A8	3	\$3,296.00	\$5,946.00	\$3,924.00	\$6,574.00
	16.9R28	ALLIANCE/TAURUS	136A8	3	\$3,296.00	\$6,170.00	\$3,924.00	\$6,798.00
	14.9-30	ALLIANCE	8	3	\$3,169.00	\$5,271.00	\$3,793.00	\$5,895.00
	14.9R30	ALLIANCE/TAURUS	129A8	3	\$3,169.00	\$6,225.00	\$3,793.00	\$6,849.00
	16.9-30	BKT	8	4	\$3,324.00	\$4,784.00	\$4,123.00	\$5,583.00
	16.9R30	BKT	137A8	4	\$3,324.00	\$6,010.00	\$4,123.00	\$6,809.00
	16.9R30	ALLIANCE/TAURUS	137A8	4	\$3,324.00	\$6,190.00	\$4,123.00	\$6,989.00
32"	18.4-30	BKT	8	4	\$3,324.00	\$4,986.00	\$4,123.00	\$5,785.00
	18.4R30	BKT/ALLIANCE	142A8	4	\$3,324.00	\$6,934.00	\$4,123.00	\$7,733.00
	12.4-32	BKT	8	3	\$3,119.00	\$4,679.00	\$3,740.00	\$5,300.00
34"	12.4R32	TAURUS/BKT/ALLIANCE	122A8	3	\$3,119.00	\$5,461.00	\$3,740.00	\$6,082.00
	16.9-34	BKT	8	4	\$3,855.00	\$5,961.00	\$4,673.00	\$6,779.00
	16.9R34	TAURUS/BKT/ALLIANCE	139A8	4	\$3,855.00	\$7,423.00	\$4,673.00	\$8,241.00
	16.9R34	KLEBER/MICHELIN	139A8	4	\$3,855.00	\$8,015.00	\$4,673.00	\$8,833.00
	480/70R34	BKT	143A8	4	\$3,855.00	\$7,677.00	\$4,673.00	\$8,495.00
480/70R34	ALLIANCE/TAURUS	143A8	4	\$3,855.00	\$8,193.00	\$4,673.00	\$9,011.00	

# Snaplok and Cobra Dual Systems

DIAMETER	SIZE	TYRE BRAND	PLY RATING LOAD/SPEED	CLAMPS PER WHEEL	COBRA KIT EXCEL TYRES & TUBES	FULL KIT	SNAPLOCK KIT EXCEL TYRES & TUBES	FULL KIT
34"	18.4-34	BKT	8	4	\$3,855.00	\$5,977.00	\$4,673.00	\$6,795.00
	18.4R34	BKT	144A8	4	\$3,855.00	\$7,261.00	\$4,673.00	\$8,079.00
	18.4R34	ALLIANCE/TAURUS	144A8	4	\$3,855.00	\$7,801.00	\$4,673.00	\$8,619.00
	18.4R34	KLEBER/MICHELIN	144A8	4	\$3,855.00	\$8,593.00	\$4,673.00	\$9,411.00
	520/70R34	BKT/ALLIANCE	148A8	4	\$3,855.00	\$8,423.00	\$4,673.00	\$9,241.00
36"	520/70R34	KLEBER	148A8	4	\$3,855.00	\$10,025.00	\$4,673.00	\$10,843.00
	12.4-36	BKT	8	4	\$3,863.00	\$5,289.00	\$4,681.00	\$6,107.00
	13.6-36	BKT	8	4	\$3,975.00	\$5,721.00	\$4,798.00	\$6,544.00
38"	13.6R36	KLEBER/MICHELIN	127A8	4	\$3,975.00	\$7,691.00	\$4,798.00	\$8,514.00
	12.4-38	ALLIANCE	6	4	\$3,980.00	\$5,726.00	\$4,803.00	\$6,549.00
	13.6-38	BKT	6	4	\$3,986.00	\$5,842.00	\$4,809.00	\$6,665.00
	13.6R38	TAURUS/BKT/ALLIANCE	128A8	4	\$3,986.00	\$6,996.00	\$4,809.00	\$7,819.00
	14.9-38	ALLIANCE	6	4	\$3,986.00	\$6,258.00	\$4,809.00	\$7,081.00
	14.9R38	ALLIANCE	133A8	4	\$3,986.00	\$7,330.00	\$4,809.00	\$8,243.00
	14.9R38	MICHELIN	133A8	4	\$3,986.00	\$8,582.00	\$4,809.00	\$9,405.00
	16.9-38	BKT	8	4	\$3,948.00	\$6,570.00	\$4,769.00	\$7,391.00
	16.9R38	BKT	141A8	4	\$3,948.00	\$7,378.00	\$4,769.00	\$8,199.00
	16.9R38	ALLIANCE/TAURUS	141A8	4	\$3,948.00	\$7,986.00	\$4,769.00	\$8,807.00
40"	16.9R38	KLEBER/MICHELIN	141A8	4	\$3,948.00	\$9,284.00	\$4,769.00	\$10,105.00
	480/70R38	BKT/ALLIANCE	145A8	4	\$3,948.00	\$7,958.00	\$4,769.00	\$8,779.00
	480/70R38	TAURUS	145A8	4	\$3,948.00	\$8,774.00	\$4,769.00	\$9,595.00
	18.4-38	BKT	8	4	\$3,948.00	\$6,510.00	\$4,769.00	\$7,331.00
	18.4R38	BKT	144A8	4	\$3,948.00	\$7,670.00	\$4,769.00	\$8,491.00
	18.4R38	ALLIANCE	144A8	4	\$3,948.00	\$7,918.00	\$4,769.00	\$8,739.00
	18.4R38	TAURUS	146A8	4	\$3,948.00	\$8,412.00	\$4,769.00	\$9,233.00
	18.4R38	KLEBER/MICHELIN	149A8	4	\$3,948.00	\$9,632.00	\$4,769.00	\$10,453.00
	520/70R38	BKT/ALLIANCE	150A8	6	\$3,948.00	\$8,896.00	\$4,769.00	\$9,717.00
	520/70R38	TAURUS	150A8	6	\$3,948.00	\$10,016.00	\$4,769.00	\$10,837.00
	600/65R38	ALLIANCE	147A8	6	\$4,580.00	\$10,532.00	\$5,765.00	\$11,717.00
	600/65R38	TAURUS	147A8	6	\$4,580.00	\$11,106.00	\$5,765.00	\$12,291.00
	600/65R38	MICHELIN	153A8	6	\$4,580.00	\$13,898.00	\$5,765.00	\$15,083.00
	20.8R38	BKT	152B	6	\$4,580.00	\$9,408.00	\$5,765.00	\$10,593.00
	20.8R38	ALLIANCE	153A8	6	\$4,580.00	\$9,588.00	\$5,765.00	\$10,773.00
	20.8R38	TAURUS	153A8	6	\$4,580.00	\$10,374.00	\$5,765.00	\$11,559.00
	20.8R38	KLEBER	155A8	6	\$4,580.00	\$11,228.00	\$5,765.00	\$12,413.00
	580/70R38	ALLIANCE	155A8	6	\$4,580.00	\$11,410.00	\$5,765.00	\$12,595.00
	580/70R38	TAURUS	155A8	6	\$4,580.00	\$12,510.00	\$5,765.00	\$13,695.00
	650/65R38	ALLIANCE	154A8	6	\$4,580.00	\$12,584.00	\$5,765.00	\$13,769.00
650/65R38	MICHELIN	153A8	6	\$4,580.00	\$16,436.00	\$5,765.00	\$17,621.00	
42"	11.2R42	ALLIANCE	139A8	4	\$5,025.00	\$8,953.00	\$5,884.00	\$9,812.00
	18.4R42	ALLIANCE	148A8	6	\$4,645.00	\$9,841.00	\$5,831.00	\$11,395.00
	18.4R42	MICHELIN	148A8	6	\$4,645.00	\$13,213.00	\$5,831.00	\$14,399.00
	20.8R42	TAURUS/ALLIANCE	155A8	8	\$5,155.00	\$11,779.00	\$6,700.00	\$13,324.00
	20.8R42	KLEBER	155A8	8	\$5,155.00	\$12,669.00	\$6,700.00	\$14,214.00
	650/65R42	ALLIANCE	158A8	8	\$5,155.00	\$14,079.00	\$6,700.00	\$15,624.00
	650/65R42	MICHELIN	158A8	8	\$5,155.00	\$17,683.00	\$6,700.00	\$19,228.00
44"	8.3R44	KLEBER	126A2	4	\$4,683.00	\$6,983.00	\$5,530.00	\$7,830.00
	9.5R44	ALLIANCE	134A8	4	\$4,683.00	\$7,661.00	\$5,530.00	\$8,508.00
	11.2R44	TAURUS/ALLIANCE	127A8	4	\$4,906.00	\$8,532.00	\$5,762.00	\$9,388.00
46"	11.2R46	ALLIANCE	141A8	4	\$5,048.00	\$8,978.00	\$5,908.00	\$9,838.00
	12.4R46	TAURUS/ALLIANCE	147A8	4	\$5,048.00	\$9,650.00	\$5,908.00	\$10,510.00
	13.6R46	MICHELIN	148A8	4	\$5,456.00	\$10,522.00	\$6,671.00	\$11,737.00
	14.9R46	TITAN/ALLIANCE	164A8	6	\$5,456.00	\$12,502.00	\$6,671.00	\$13,717.00
	16.9R46	MICHELIN	151A8	6	\$6,166.00	\$12,270.00	\$7,747.00	\$13,851.00
	18.4R46	ALLIANCE	155A8	8	\$6,166.00	\$12,580.00	\$7,747.00	\$14,161.00
	18.4R46	MICHELIN	155A8	8	\$6,166.00	\$14,096.00	\$7,747.00	\$15,677.00
	20.8R46	MICHELIN	158A8	8	\$6,166.00	\$14,986.00	\$7,747.00	\$16,567.00
48"	9.5R48	TAURUS	147A2	4	\$4,845.00	\$7,947.00	\$5,698.00	\$8,800.00
	11.2R48	ALLIANCE/TAURUS	129A8	4	\$4,949.00	\$8,713.00	\$5,806.00	\$9,570.00
	13.6R48	TAURUS/ALLIANCE	151A8	6	\$5,884.00	\$11,112.00	\$7,115.00	\$12,343.00
50"	320/90R50	MICHELIN	148A8	4	\$5,943.00	\$11,233.00	\$7,176.00	\$12,466.00
52"	12.4R52	ALLIANCE	159A2	6	\$6,383.00	\$11,679.00	\$7,632.00	\$12,928.00
54"	11.2R54	KLEBER	157A2	6	\$6,270.00	\$11,650.00	\$7,515.00	\$12,895.00
	12.4R54	MICHELIN	149A8	6	\$6,270.00	\$12,124.00	\$7,515.00	\$13,369.00

All prices exclude GST and are recommended retail prices only. TRS reserve the right to change prices without prior notice. Please confirm prices prior to quoting.

Dual Wheels

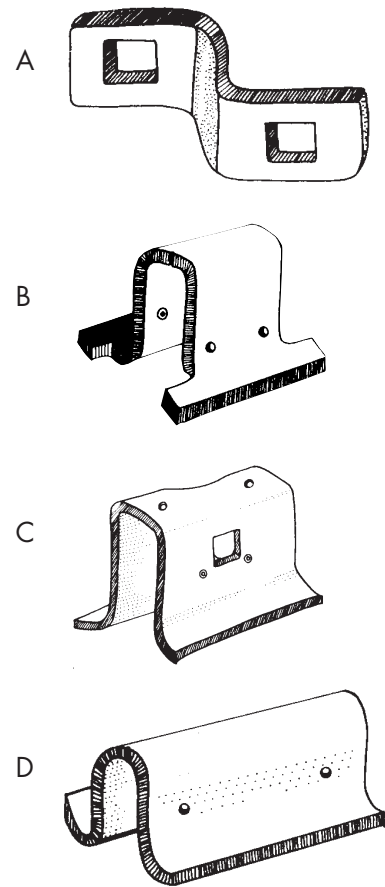
# Replacement Components

TRS stock a large range of replacement components for all agricultural wheel systems.

CODE	DESCRIPTION	STYLE	RRP EX GST
<b>► LUGS</b>			
50015	Z lug	A	\$30.00
50001	45mm Omega lug	B	\$35.00
50004	90mm Omega lug	D	\$42.00
50007	H/duty lug	C	\$41.00
<b>► SPACERS</b>			
50085	M16x7mm solid round bush		\$19.00
50077	M16x14mm solid round bush		\$19.00
50086	M18x15mm solid round bush		\$24.00
50080	M16x15mm 2-hole bone spacer, 60mm ctrs		\$20.00
50081	M16x15mm 2-hole bone spacer, 80mm ctrs		\$22.00
50082	M16x25mm 2-hole bone spacer, 80mm ctrs		\$28.00
50083	M16x15mm 3-hole bone spacer, 80mm ctrs		\$28.00
50084	M16x25mm 3-hole bone spacer, 80mm ctrs		\$35.00
42056	M16x40mm eyenut mounting bush.		\$18.00
<b>► ENGINEERS (HEX) BOLTS</b>			
50047	M16x2.0x35mm 8.8 bolt		\$6.00
50048	M16x2.0x40mm 8.8 bolt		\$6.00
50049	M16x2.0x45mm 8.8 bolt		\$6.00
50050	M16x2.0x50mm 8.8 bolt		\$6.00
50054	M16x2.0x65mm 8.8bolt		\$6.00
50058	M16x2.0x75mm 8.8 bolt		\$7.00
50104	M16x2.0x90mm 8.8 bolt		\$10.00
50103	M16x2.0x120mm 8.8 bolt		\$11.00
<b>► SPECIALISED WHEEL BOLTS</b>			
50052	M16x1.5x58mm 10.9 coach head bolt		\$24.00
50107	M16x2.0x55mm 10.9 waffle rim bolt		\$18.00
50108	M16 washer for waffle rim bolt		\$2.00
50109	M16x2.0 nut for waffle rim bolt		\$2.00
50056	M16x2.0x74mm 10.9 coach head bolt		\$20.00
50057	M16x1.5x80mm 8.8 knob bolt		\$22.00
50044	M16x2.0x120mm 10.9 coach head bolt		\$25.00
50061	M18x2.0x80mm 10.9 coach head bolt		\$41.00

Note: All bolts include nut plus washer. Minimum freight free purchase \$50.00

## ► LUGS



## ► SPACERS



## ► WHEEL BOLTS



# Blank Centreless Rims

TRS can supply rims to suit all agricultural applications. Listed below are common rim sizes and styles but many more are available. Phone TRS to discuss your specific requirements.

CODE	SIZE	STYLE	RRP EX GST	CODE	SIZE	STYLE	RRP EX GST
38063	3.50x10	4	\$74.00	38225	W15x24	1	\$376.00
38080	6.00x10	4	\$108.00	38152	DW15Lx24	2	\$376.00
38280	4Jx12	4	\$96.00	38231	W16Lx24	1	\$409.00
38067	4.25x12	4	\$83.00	38161	DW16x24 std	2	\$409.00
38072	5.00x12	4	\$83.00	38162	DW16x24 HD	2	\$714.00
38096	7.00x12	1	\$161.00	38024	12.00x24DC	3	\$536.00
38117	8.50x12	1	\$156.00	38034	13.00x25DC	3	\$566.00
38005	10.50x12	1	\$203.00	38163	DW16x26	2	\$486.00
38100	7.00x13	6	\$148.00	38173	DW20Ax26	2	\$583.00
38082	6.00x14	6	\$115.00	38187	DW25Ax26	2	\$996.00
38101	7.00x14	6	\$118.00	38048	16.00x26.5	5	\$413.00
38066	4.00x15	4	\$134.00	38053	20x26.5	5	\$570.00
38083	6.00x15	6	\$134.00	38057	24.00x26.5	5	\$1,194.00
38092	6LBx15	4	\$134.00	38059	28.00x26.5	5	\$1,134.00
38102	7.00x15 IID	6	\$150.00	38239	W7x28	1	\$306.00
38118	8LBx15	1	\$160.00	38247	W8x28	1	\$329.00
38108	8.00x15 IID	6	\$209.00	38196	W10x28	1	\$295.00
38284	8.00x15 RID	6	\$209.00	38213	W12x28	1	\$337.00
38009	10LBx15	1	\$185.00	38221	W14Lx28	1	\$380.00
38000	10.00x15	6	\$250.00	38226	W15x28	1	\$409.00
38035	13LBx15	1	\$239.00	38232	W16Lx28	1	\$425.00
38121	9.00x15.3	3	\$163.00	38235	W18Lx28	1	\$464.00
38026	13.00x15.5	5	\$290.00	38141	DW12x30	2	\$418.00
38042	16.00x15.5	5	\$317.00	38147	DW14x30	2	\$482.00
38064	4.00x16	4	\$121.00	38153	DW15x30	2	\$482.00
38068	4.50x16	4	\$121.00	38176	DW20Ax30	2	\$540.00
38075	5.50x16	4	\$143.00	38055	20.00x30.5	5	\$676.00
38288	7.00x15 RID	6	\$150.00	38058	24.00x30.5	5	\$1,260.00
38281	6Jx16	4	\$184.00	38060	28.00x30.5	5	\$1,082.00
38103	7.00x16	6	\$211.00	38240	W7x32	1	\$402.00
38105	7.00x16 IID	6	\$211.00	38248	W8x32	1	\$402.00
38243	W8LBx16	1	\$172.00	38198	W10x32	1	\$402.00
38112	8.00x16	6	\$254.00	38177	DW20x32	2	\$614.00
38111	8.00x16 IID	6	\$254.00	38162	DW21x32	2	\$846.00
38192	W10LBx16	1	\$187.00	38131	DH21x32	1	\$1,063.00
38001	10.00x16	6	\$220.00	38189	DW27x32	2	\$1,103.00
38010	11.00x16	3	\$239.00	38132	DH27x32	1	\$1,103.00
38299	14x16.1	3	\$407.00	38134	Dw10x34	2	\$431.00
38230	W16Cx16.1	2	\$446.00	38145	DW13x34	2	\$443.00
38298	18x16.1	3	\$534.00	38227	W15x34	1	\$506.00
38114	8.25x16.5	5	\$256.00	38154	DW15x34	1	\$587.00
38296	9.75x16.5	5	\$268.00	38233	W16Lx34	1	\$551.00
38297	12.00x16.5	5	\$274.00	38158	DW16x34	2	\$563.00
38012	11.00x17	3	\$252.00	38241	W7x36	1	\$366.00
38027	13.00x17	3	\$290.00	38249	W8x36	1	\$408.00
38043	16.00x17	3	\$350.00	38199	W10x36	1	\$408.00
38269	6.00x17.5	5	\$174.00	38208	W11x36	1	\$421.00
38090	6.75x17.5	5	\$210.00	38215	W12x36	1	\$421.00
38076	5.50x18	4	\$167.00	38135	DW10x38	2	\$510.00
38285	9.00x18 std	3	\$190.00	38209	W11x38	1	\$452.00
38123	9.00x18 HD	3	\$221.00	38216	W12x38	1	\$502.00
38015	11.00x18 std	3	\$238.00	38142	DW12x38	2	\$462.00
38014	11.00x18 HD	3	\$487.00	38151	DW14x38	2	\$517.00
38028	13.00x18	3	\$310.00	38228	W15x38	1	\$515.00
38019	11.75x19.5	5	\$341.00	38155	DW15x38	2	\$580.00
38036	14.00x19.5	5	\$401.00	38234	W16x38	1	\$535.00
38074	5.00x20	4	\$133.00	38166	DW16x38	2	\$695.00
38077	5.50x20	4	\$197.00	38169	DW18x38	2	\$694.00
38245	W8x20	1	\$283.00	38236	W18x38	1	\$688.00
38124	9.00x20	3	\$247.00	38179	DW20Ax38	2	\$840.00
38282	W10x20	1	\$251.00	38250	W8x40	1	\$472.00
38017	11.00x20	3	\$254.00	38251	W8x42	1	\$503.00
38032	13.00x20	3	\$328.00	38200	W10x42	1	\$540.00
38039	14.00x20	3	\$371.00	38159	DW16x42	2	\$638.00
38044	16.00x20	3	\$354.00	38170	DW18x42	2	\$718.00
38115	8.5x22.5	5	\$260.00	38242	W7x44	1	\$439.00
38022	11.75x22.5	5	\$342.00	38252	W8x44	1	\$505.00
38292	11.75x22.5 HS	5	\$348.00	38201	W10x44	1	\$510.00
38033	13.00x22.5	5	\$325.00	38202	W10x46	1	\$550.00
38040	14.00x22.5	5	\$350.00	38136	DW10x46	2	\$714.00
38041	14.00x22.5 HS	5	\$382.00	38217	W12x46	1	\$616.00
38046	16.00x22.5	5	\$438.00	38143	DW12x46	2	\$616.00
38052	20.00x22.5	5	\$464.00	38146	DW13x46	2	\$636.00
38056	24.00x22.5	5	\$876.00	38160	DW16x46	2	\$821.00
38238	W7x24	1	\$295.00	38253	W8x48	1	\$546.00
38246	W8x24	1	\$301.00	38203	W10x48	1	\$536.00
38193	W10x24	1	\$299.00	38218	W12x48	1	\$551.00
38211	W12x24	1	\$326.00	38137	DW10x50	2	\$1,088.00
38144	DW13x24	2	\$329.00	38204	W10x52	1	\$1,098.00
38220	W14Lx24	1	\$379.00	38138	DW10x54	2	\$1,114.00

## SECTIONS OF RIM STYLES. APPROXIMATE SHAPE ONLY



Blank steel rims stored for prolonged periods may require sandblasting prior to welding/painting. TRS can sandblast any rims prior to despatch for a cost of \$20.00 per rim. Please advise when ordering should you require this service.

# Standard Truck Wheels

PART NO	WIDTH	CENTRE BORE	PCD	STUDS	STUD DIA	TYPE	RRP EX GST
<b>15 INCH WHEELS</b>							
40075	6.5	DEMOUNTABLE				3 piece	\$238.00
60111	6.5	176	225	10	26mm	3 piece	\$336.00
44088	7	108	140	6	15mm	1 piece	\$199.00
44089	8	108	160	6	15mm	1 piece	\$199.00
<b>16 INCH WHEELS</b>							
60025	6	150	208	5	32mm	2 piece	\$411.00
60027	6	165	222.2	6	32mm	2 piece	\$411.00
<b>17.5 INCH WHEELS</b>							
60090	6	146	203.2	5	32mm	1 piece	\$238.00
60096	6	146	203.2	5	29mm	1 piece	\$238.00
60028	6	150	208	5	32mm	1 piece	\$238.00
60029	6	164	222	6	32mm	1 piece	\$238.00
60104	6.75	161	205	6	21.5mm	1 piece	\$250.00
60032	6.75	164	222	6	32mm	1 piece	\$250.00
<b>19.5 INCH WHEELS</b>							
60035	6.75	164	222	6	32mm	1 piece	\$281.00
<b>20 INCH WHEELS</b>							
40058	7.5	DEMOUNTABLE				3 piece	\$411.00
60047	7.5	221	285	8	32mm	2 piece	\$391.00
60045	7.5	281	335	10	26mm	2 piece	\$391.00
60053	8	281	335	10	26mm	2 piece	\$437.00
40065	8.5	DEMOUNTABLE				2 piece	\$352.00
60084	8.5	281	335	10	36mm	3 piece	\$634.00
<b>22.5 INCH WHEELS</b>							
60059	8.25	221	285	8	32mm	1 piece	\$365.00
60089	8.25	281	335	10	26mm	1 piece	\$481.00
60105	9	221	275	8	27mm	1 piece	\$568.00
60065	9	281	335	10	26mm	1 piece	\$518.00
60017	11.75	281	335	10	26mm	1 piece	\$641.00
60020	11.75	281	335	10	26mm	1 piece	\$641.00



# Custom Built Wheels



## CUSTOM BUILT *wheels*



TRS manufacture wheels to suit all applications and with almost 30 years experience we can offer quality advice for any situation.

TRS can also modify wheels to suit client requirements and all TRS wheels are built to certified standards and backed by a comprehensive warranty.

Common applications TRS build specialist wheels for:

- » Fertiliser spreading
- » Rescue tenders
- » Construction sites
- » Power Cranes
- » Forestry and off road applications
- » Agricultural spraying
- » Silage and cropping
- » Adventure Tourism
- » Forklift & port service

**Call TRS first for all specialist wheel requirements.**





## Why your industry can rely on a TRS custom built wheel solution

In addition to our custom manufacture service, TRS stock a huge range of standard fitment wheels for trucks and machinery, providing immediate and cost effective replacement options.

### » MATERIALS HANDLING

TRS can supply replacement wheels regardless of machine brand or type of wheel. Options include standard replacement and heavy duty options.



### » MINING MACHINERY

TRS can rebuild existing wheel equipment or manufacture replacement wheels to cope with this demanding environment.



### » DUMP TRUCKS

Whether you require a standard wheel replacement or wider wheels to improve flotation, TRS can engineer a solution.



### » GRADERS AND LOADERS

TRS specialise in the manufacture of wheels utilising the best heavy duty centres and rim bases available to last where original equipment has failed.



### » FORESTRY MACHINERY

Standard on all TRS forestry wheels are features such as reinforced bead sections and valve guards, ensuring reliable performance in such a demanding application.



### » POWER CRANES

Crane conversions to meet footprint requirements are our specialty. All wheels are manufactured from quality heavy duty components.



### » SPECIALISED MACHINERY

TRS can build wheels for container handlers, straddle carriers, telescopic handlers and many other types of heavy machinery.



### » SKID STEER LOADERS

TRS manufacture heavy duty wheels, often preferred to the factory originals due to their strength, resulting in significant downtime savings.



## Consider these unique TRS services;

### » CRACK TESTING

Ideal for machinery operating in a safety critical environment, crack testing can also prolong the life of expensive tyres by minimising the risk of premature or unexpected rim failure.



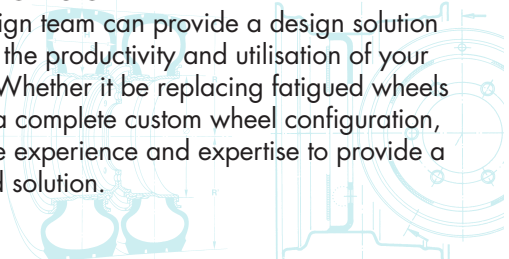
### » REPAIR AND MODIFICATION

A cost effective alternative to the manufacture of new wheel equipment.



### » SPECIALIST WHEEL DESIGN AND MANUFACTURE

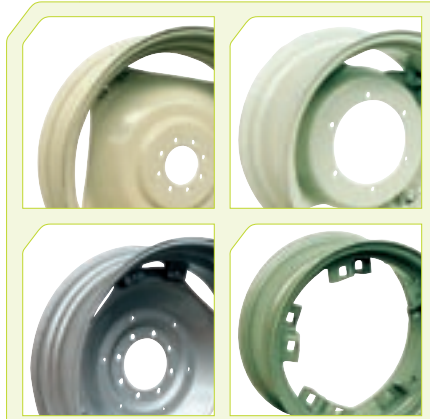
The TRS design team can provide a design solution to maximise the productivity and utilisation of your machinery. Whether it be replacing fatigued wheels or building a complete custom wheel configuration, TRS have the experience and expertise to provide a fully certified solution.



All TRS wheel solutions are painted in high gloss enamel in a colour to suit the equipment.

# Tractor Drive Wheels

TRS stock a complete range of Tractor drive wheels to suit all makes and models. Common styles include:



## ▶ ADJUSTABLE 4X2

Available in medium and heavy duty, this style is supplied as OE on many tractors and offers excellent adjustability.



## ▶ RING WHEELS

Available with various types of centres and common on many new tractors. Offers great strength and adjustability.



## ▶ FIXED CENTRE WHEEL

Very strong solution and well suited to high speeds and/or loads. No adjustability in the wheel, but often fitted to bar axle tractors where the adjustability is in the axle.



## ▶ ADJUSTABLE 6 STAR & 8 STAR

Found on many Kubota, Iseki and Landini Tractors, this style of wheel offers strength and adjustability.



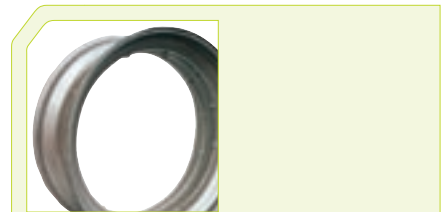
## ▶ ADJUSTABLE CAST CENTRE OR PAVT (POWER ADJUSTABLE VARIABLE TRACK)

Cast centres sometimes used as ballast found on some Iseki, Kubota and John Deere tractors.



## ▶ WAFFLE WHEELS

Usually found on the front of large HP American tractors, they are very strong and multi adjustable.



## ▶ SPOKE HUB WHEELS

The centre is a cast spoke which is integral in the tractor hub.



# Rowcrop Wheels



## CROPSAVER ROWCROP

TRS manufacture wheel systems to suit all Rowcrop applications regardless of their size or style. With almost 30 years experience in this market, TRS have extensive technical expertise and the widest range of wheel product available from one source NZ. This is supported by a huge range of tyres covering all sizes and in several brands.

Whether it be spraying, inter row cultivating or harvesting, TRS can advise on the best type of Rowcrop wheel to suit your needs.



### » FIXED CENTRE

The fixed centre provides enormous strength, as the centre is welded to the rim. An ideal cost effective solution where adjustability is not required.



### » ADJUSTABLE RING WHEEL

The strongest type of adjustable wheel available. With a fully welded ring within, this remains the premium Rowcrop option.



### » ADJUSTABLE LUG TYPE

A conventional design suitable to medium duty applications and providing good levels of adjustability.



### » ADJUSTABLE RING RIM TO SUIT EXISTING TRACTOR CENTRE

A great option, as the operator can save the cost of purchasing a new centre. Also good for operators wishing to swap between Rowcrop and standard agricultural tyres.

# Load Index Markings

Most tyres carry a service description which consists of a load index and a corresponding speed symbol. The load index is represented by a number, while the speed symbol is represented by a letter or a letter plus a number. The table below shows the load and speed indices together with their equivalent values.

INDEX	LOAD		INDEX	LOAD		INDEX	LOAD		INDEX	LOAD	
	KG	LBS		KG	LBS		KG	LBS		KG	LBS
100	800	1764	120	1400	3086	140	2500	5512	160	4500	9921
101	825	1819	121	1450	3197	141	2575	5677	161	4625	10196
102	850	1874	122	1500	3307	142	2650	5842	162	4750	10472
103	875	1929	123	1550	3417	143	2725	6008	163	4875	10747
104	900	1984	124	1600	3527	144	2800	6173	164	5000	11023
105	925	2039	125	1650	3638	145	2900	6393	165	5150	11354
106	950	2094	126	1700	3748	146	3000	6614	166	5300	11684
107	975	2149	127	1750	3858	147	3075	6779	167	5450	12015
108	1000	2205	128	1800	3968	148	3150	6944	168	5600	12346
109	1030	2271	129	1850	4079	149	3250	7165	169	5800	12787
110	1060	2337	130	1900	4189	150	3350	7385	170	6000	13228
111	1090	2403	131	1950	4299	151	3450	7606	171	6150	13558
112	1120	2469	132	2000	4409	152	3550	7826	172	6300	13889
113	1150	2535	133	2060	4541	153	3650	8047	173	6500	14330
114	1180	2601	134	2120	4674	154	3750	8267	174	6700	14771
115	1215	2679	135	2180	4806	155	3875	8543	175	6900	15212
116	1250	2756	136	2240	4938	156	4000	8818	176	7100	15653
117	1285	2833	137	2300	5071	157	4125	9094	177	7300	16094
118	1320	2910	138	2360	5203	158	4250	9370	178	7500	16535
119	1360	2998	139	2430	5357	159	4375	9645	179	7750	17086

## ► EQUIVALENT LOAD IN DUALS OR TRIPLES

When used in duals, tyre load carrying capacity must be reduced by 12%. When used as triples, tyre load carrying capacity must be reduced by 15%.



# Speed Symbol Markings

CODE	SPEED	
	KM/H	MPH
A2	10	5
A4	20	12
A6	30	20
A8	40	25
B	50	30
C	60	35
D	65	40
E	70	43
F	80	50
G	90	55
J	100	62
K	110	68



# Substitution Tables

There is a wide range of replacement options for most standard profile radial tyres. Refer to the table below for tyres with equivalent overall diameter and rolling circumference. Please note this table is a guide only and dimensions may vary between brands. Other substitutions may also be possible.

STANDARD PROFILE	80-90 SERIES	OTHER SERIES Inc XMCL	LOW PROFILE 70 SERIES	LOW PROFILE 65 SERIES	LARGE VOLUME & INDUSTRIAL	SUPER VOLUME	NARROW
6.50R16			260/70R16	280/65R16			
7.50R16		250/80R16	280/70R16				
7.50R18		250/80R18	280/70R18	320/65R18			
		11R16					
10.5R18		280/80R18		340/65R18			
12.5R18		335/80R18					
7.50R20		280/80R18*	280/70R20	340/6 R18*			
9.5R20		260/80R20	300/70R20	340/65R20			
10.5R20		280/80R20					
11.2R20	280/85R20	380/80R18*	320/70R20				
12.4R20	320/85R20	340/75R20	360/70R20	420/65R20			
	250/85 R24		300/70R24				
12.5R20		340/80R20					
14.5R20		385/75R20	405/70R20				
		380/80R20					
16.0/70R20		400/70R20					
16.5/75R20		420/75R20					
		425/75R20					
8.3R24	280/85R20		320/70R20				
9.5R-4	320/85R20	340/75R20*	360/70R20	420/65R20			
	250/85R24		300/70R24				
11.2R24	280/85R24	380/75R20*	320/70R24	440/65R20			
			380/70R20				
12.4R24	320/85R24		360/70R24	420/65R24			
13.6R24	340/85R24	400/70R24	380/70R24	440/65R24			
14.9R24	380/85R24	460/70R24	420/70R24	480/65R24			
		17.5 LR24					
16.9R24	420/85R24	440/80R24	480/70R24	540/65R24			
		500/70R24					
		19.5LR24					
14.9R26		19.5LR24	380/70R28	540/65R24			
16.9R26		420/75R28	480/70R26	540/65R26			
18.4R26		480/80R26	520/70R26	540/65R28	580/70R26		
		19.5LR28	480/70R28				
23.1R26		600/70R30	650/70R26		620/75R26	1000/50R25*	
28LR26		600/70R30	620/75R26		750/65R26	1000/50R25*	
9. R28	250/8R28		360/70R24				
11.2R28	280/8R28	400/70R24					
	405/70R24	320/70R28	440/65R24				
12.4R28	320/85R28	420/70R24	360/70R28	420/65R28			
		17.5LR24					
13.6R28	340/85R28	19.5LR24	380/70R28	440/65R28			
14.9R28	380/85R28	420/75R28	420/70R28	480/65R28			
			480/70R26	540/65R26			
16.9R28	420/85R28	19.5LR28	480/70R28	540/65R28	580/70R26*	750/50R26	290/90R34
			420/70R30				
14.9R30	380/85R30	480/70R28	420/70R30	540/65R28			
		19.5LR28					
16.9R30	420/85R30	480/75R30	480/70R30	540/65R30	600/65R28		290/90R38
18.4R30	460/85R30		520/70R-30		620/70R-26	710/55R30	320/85R38
					600/70R28		
23.1R30		480/70R38	650/70R-30	540/65R38	620/75R30		
12.4R32	320/85R32						
24.5R32		800/60R32	680/70R32		650/75R32	620/75R34	
30.5LR32		680/75R32	680/70R34		900/55R32	800/65R32	
		650/75R34				1050/50R32	
16.9R34	420/85R34	400/75R38	480/70R34	540/6R34			
18.4R34	460/85R34	520/75R34	520/70R34	600/65R34	650/70R30		
23.1R34		620/75R34	520/70R38	600/65R-38	650/75R32		
12.4R36	320/85R36	480/75R30	480/70R30	540/65R30			
13.6R36	340/85R36	520/70R30	600/70R28		620/70R26		
13.6R38	340/85R38	400/75R38	500/70R34	540/65R34			
14.9R38	380/85R38	520/75R34	540/70R34	600/65R34	620/7 R26		
15.5R38							
16.9R38	420/85R38		480/70R38	540/65R38	620/75R30		
18.4R38	460/85R38		520/70R38	600/65R38	620/75R34		340/85R46
					650/75R32		
20.8R38	520/85R38		580/70R38	650/65R38	680/75R32	800/65R32	380/90R46
			620/70R38		900/55R32	1050/50R32	
18.4R42	460/85R42			600/65R42	900/55R32	1050/50R32	320/90R50
20.8R42	520/85R42	680/85R32	580/70R42	650/65R42	650/75R38		320/90R54
			620/70R42		710/75R34	900/50R42	
					710/70R38	900/60R32	
20.8R46	520/85R46		710/70R42*		650/85R38	800/70R38	
			620/70R46				

\*Some substitutions may require a new rim.

# Agricultural Tyre Dimension Chart

## ▶ ALLIANCE 65 SERIES

Size	Pattern	Load Index	Section Width	Diam	Slr	R.c	Rec Rim Width
480/65R24	A360	127A8	479	1234	555	3633	W15
28LR26	A360	158A8	751	1623	730	4778	DW25A
750/65R26	A360	158A8	751	1623	730	4779	DW25A
480/65R28	A360	129A8	479	1335	605	3949	W15
540/65R28	A360	137A8	550	1413	637	4166	W16
600/65R28	A360	147A8	591	1480	663	4390	W18
540/65R30	A360	143A8	550	1464	662	4325	W16L
24.5R32	A360	159A8	622	1800	801	5264	DW21A
30.5L32	A360	158A8	775	1820	809	5319	DH27
30.5LR32	A360	167A8	775	1820	809	5319	DH27
650/75R32	A360	169A8	625	1800	801	5264	DW21A
650/75R32	A360	175A8	625	1800	801	5264	DW21A
800/65R32	A360	167A8	800	1850	821	5401	DH27
540/65R38	A360	142A8	550	1675	767	4987	W16L
600/65R38	A360	147A8	591	1745	795	5179	W18L
650/65R38	A360	154A8	645	1835	830	5422	DW20A
710/70R38	A360	166A8	716	1948	877	5739	DW23A
710/70R38	A360	172A8	716	1948	877	5739	DW23A
620/70R42	A360	166A8	650	1940	883	5754	DW20A
650/65R42	A360	158A8	650	1940	883	5754	DW20

## ▶ MICHELIN 65 SERIES

Size	Pattern	Load Index	Section Width	Diam	Slr	R.c	Rec Rim Width
440/65R24	Multibib	128D	439	1187	529	3519	W1
480/65R24	Multibib	133D	483	1240	546	3667	W15L
540/65R24	Multibib	140D	532	1312	573	3873	W16L
440/65R28	Multibib	131D	437	1291	579	3833	W14
480/65R28	Multibib	136D	476	1339	596	3970	W15L
540/65R28	Multibib	142D	529	1427	630	4223	W16L
540/65R30	Multibib	143D	527	1472	648	4353	W16L
540/65R34	Multibib	145D	530	1574	693	4655	W16L
600/65R34	Multibib	151D	594	1654	732	4897	DW20A
540/65R38	Multibib	147D	529	1675	745	4965	W16L
600/65R38	Multibib	153D	595	1768	779	5229	DW20A
650/65R38	Multibib	157D	646	1819	801	5380	DW20A

## ▶ ALLIANCE 70 SERIES

Size	Pattern	Load Index	Section Width	Diam	Slr	R.c	Rec Rim Width
240/70R16	A370	104A8	245	740	337	2196	W8
260/70R16	A370	109A8	269	780	351	2299	W9
280/70R16	A370	112A8	278	804	368	2392	W9
280/70R18	A370	114A8	278	860	390	2544	W9
300/70R20	A370	110A8	293	956	435	2833	W9
320/70R20	A370	113A8	325	986	445	2908	W10
320/70R24	A370	116A8	319	1098	500	3259	W10
360/70R24	A370	122A8	360	1152	522	3407	W11
380/70R24	A370	125A8	380	1182	534	3489	W12
420/70R24	A370	130A8	418	1238	553	3631	W13
480/70R24	A370	138A8	479	1322	590	3873	W15L
360/70R28	A370	125A8	357	1255	573	3730	W11
380/70R28	A370	127A8	380	1283	584	3807	W12
420/70R28	A370	133A8	418	1339	607	3961	W13
480/70R28	A370	140A8	479	1423	569	3887	W15L
480/70R30	A370	141A8	479	1474	666	4351	W15L
480/70R34	A370	143A8	479	1576	717	4673	W15L
520/70R34	A370	148A8	516	1632	739	4826	W16L
480/70R38	A370	145A8	479	1677	767	4991	W15L
520/70R38	A370	150A8	516	1733	790	5144	W16L
580/70R38	A370	155A8	577	1817	816	5343	W18A

## ▶ LIQUID BALLASTING FOR FROST PROTECTION (Based On 50% Ballast - Gives -16°C Protection)

Tyre Size	Litres/Methylated Spirits
750-16	4
20-24"	7-11
28"	12
14/15-30	12-14
14/15-34	18
11/12-36	10
14/15-38	20

If Ballasting Up To 75% (Max) - Add Half As Much Again

## ▶ BKT 70 SERIES

Size	Pattern	Load Index	Section Width	Diam	Slr	R.c	Rec Rim Width
240/70R16	RT765	104A8	244	742	335	2211	8
260/70R16	RT765	109A8	258	770	346	2295	8
280/70R16	RT765	112A8	282	798	356	2354	9
280/70R18	RT765	114A8	282	849	381	2503	9
280/70R20	RT765	116A8	282	900	408	2685	9
300/70R20	RT765	120A8	295	952	427	2831	9
320/70R20	RT765	123A8	319	982	440	2920	10
360/70R20	RT765	129A8	357	1042	465	3129	11
380/70R20	RT765	132A8	380	1082	479	3218	12
320/70R24	RT765	116A8	319	1094	499	2390	10
360/70R24	RT765	122A8	357	1152	519	3455	11
380/70R24	RT765	125A8	380	1190	533	3534	12
420/70R24	RT765	130A8	418	1248	554	3694	13
480/70R24	RT765	138A8	479	1316	580	3894	15
360/70R28	RT765	125A8	357	1251	571	3767	11
380/70R28	RT765	127A8	380	1293	584	3861	12
420/70R28	RT765	133A8	418	1349	604	3993	13
480/70R28	RT765	140A8	479	1421	634	4217	15
480/70R30	RT765	141A8	479	1478	659	4370	15
480/70R34	RT765	143A8	479	1580	711	4689	15
520/70R34	RT765	148A8	516	1640	738	4914	16
480/70R38	RT765	145A8	479	1681	764	4995	15
520/70R38	RT765	150A8	516	1749	793	5235	16
580/70R38	RT765	155A8	577	1827	821	5443	18
710/70R38	RT765	166A8	716	1959	859	5707	23
620/70R42	RT765	160A8	625	1935	866	5692	20
710/70R42	RT765	168A8	716	2061	911	6005	23

## ▶ KLEBER 70 SERIES

Size	Pattern	Load Index	Section Width	Diam	Slr	R.c	Rec Rim Width
260/70R16	Super 8L	109A8	256	776	348	2304	W8
280/70R16	Super 8L	112A8	276	805	360	2404	W9
280/70R18	Super 8L	114A8	276	857	386	2556	W9
280/70R20	Super 8L	116A8	275	910	411	2725	W9
300/70R20	Super 8L	119A8	292	960	431	2852	W9
320/70R20	Super 8L	123A8	315	990	440	2934	W10
360/70R20	Super 8L	129A8	358	1062	470	3144	W11
320/70R24	Fitker	116A8	332	1103	496	3278	W9
360/70R24	Fitker	122A8	371	1153	517	3423	W11
380/70R24	Fitker	125A8	390	1204	536	3569	W12
420/70R24	Fitker	130A8	433	1256	563	3728	W13
480/70R24	Fitker	138A8	494	1338	588	3955	W15L
480/70R26	Super 8L	139A8	478	1382	611	4091	DW15L
520/70R26	Super 8L	143A8	516	1454	645	4322	DW16L
360/70R28	Fitker	125A8	368	1263	565	3747	W11
380/70R28	Fitker	127A8	392	1308	594	3881	W12
420/70R28	Fitker	133A8	439	1366	608	4050	W13
480/70R28	Fitker	140A8	498	1435	632	4244	DW15L
420/70R30	Super 8L	134A8	420	1412	638	4202	W13
480/70R30	Fitker	141A8	495	1483	662	4400	DW15L
480/70R34	Fitker	143A8	497	1592	707	4745	DW15L
520/70R34	Fitker	148A8	535	1654	734	4901	DW16L
480/70R38	Fitker	145A8	492	1697	765	5045	DW15L
520/70R38	Fitker	150A8	536	1765	783	5228	DW16L
580/70R38	Fitker	155A8	606	1849	821	5478	DW18L
620/70R42	Fitker	160A8	631	1952	866	5783	DW20A

## ▶ TAURUS 70 SERIES

Size	Pattern	Load Index	Section Width	Diam	Slr	R.c	Rec Rim Width
320/70R24	Point 70	116A8	319	1094	489	3246	W10
360/70R24	Point 70	122A8	357	1152	513	3416	W11
380/70R24	Point 70	125A8	380	1190	525	3521	W12
420/70R24	Point 70	130A8	418	1248	554	3690	W13
480/70R24	Point 70	138A8	479	1316	577	3888	W15L
360/70R28	Point 70	125A8	357	1251	563	3717	W11
380/70R28	Point 70	127A8	380	1293	582	3842	W12
420/70R28	Point 70	133A8	418	1349	605	4008	W13
480/70R28	Point 70	140A8	479	1421	632	4214	W15L
480/70R30	Point 70	141A8	479	1478	662	4392	W15L
480/70R34	Point 70	143A8	479	1580	710	4701	DW15L
520/70R34	Point 70	148A8	516	1640	737	4874	W16L
480/70R38	Point 70	145A8	479	1681	761	5010	DW15L
520/70R38	Point 70	150A8	516	1749	788	5229	DW16L
580/70R38	Point 70	155A8	577	1827	821	5436	DW18L
300/70R20	Point 7	110A8	293	943	420	2796	W9
320/70R20	Point 7	113A8	319	984	438	2917	W10
360/70R20	Point 7	120A8	366	1042	459	3082	W11
320/70R28	Point 7	119A8	319	1187	537	3559	W10
420/70R30	Point 7	134A8	419	1396	629	4150	W12

▶ ALLIANCE 80 SERIES

Size	Equivalent Marking	Pattern	Load Index	Section Width	Diam	Slr	R.c	Rec Rim Width
9.5R24	250/85R24	A350	107A8	241mm	1040mm	476mm	3096mm	W8
11.2R24	280/85R24	A356	114A8	284mm	1095mm	510mm	3295mm	W10
12.4R24	320/85R24	A356	119A8	315mm	1140mm	524mm	3402mm	W11
13.6R24	340/85R24	A356	121A8	345mm	1190mm	542mm	3531mm	W12
14.9R24	380/85R24	A356	126A8	378mm	1245mm	562mm	3674mm	W13
16.9R24	420/85R24	A356	134A8	429mm	1320mm	601mm	3916mm	W15
14.9R26	380/85R26	A356	127A8	378mm	1300mm	592mm	3857mm	W13
16.9R26	420/85R26	A356	135A8	429mm	1370mm	624mm	406mm	W15
18.4R26	460/85R26	A356	140A8	467mm	1440mm	656mm	4274mm	W16
9.5R28	250/85R28	A350	109A8	241mm	1140mm	527mm	3414mm	W8
11.2R28	280/85R28	A356	116A8	284mm	1200mm	556mm	3599mm	W10
12.4R28	320/85R28	A356	121A8	315mm	1250mm	577mm	3740mm	W11
13.6R28	340/85R28	A356	123A8	345mm	1295mm	595mm	3864mm	W12
14.9R28	380/85R28	A356	128A8	378mm	1350mm	618mm	4019mm	W13
16.9R28	420/85R28	A356	136A8	429mm	1420mm	645mm	4207mm	W15
14.9R30	380/85R30	A356	129A8	378mm	1400mm	644mm	4180mm	W13
16.9R30	420/85R30	A356	137A8	429mm	1475mm	672mm	4378mm	W15
18.4R30	460/85R30	A356	142A8	467mm	1545mm	712mm	4618mm	W16
8.3R32	210/95R32	A350	114A2	211mm	1190mm	553mm	3576mm	W7
9.5R32	230/95R32	A350	126A2	241mm	1245mm	579mm	3743mm	W8
11.2R32	270/95R32	A350	132A2	284mm	1300mm	601mm	3894mm	W10
12.4R32	320/95R32	A356	122A8	315mm	1350mm	627mm	4055mm	W11
16.9R34	420/85R34	A356	139A8	429mm	1575mm	722mm	4693mm	W15
18.4R34	460/85R34	A356	144A8	486mm	1671mm	750mm	4914mm	W16
8.3R36	210/95R36	A350	129A2	211mm	1290mm	607mm	3906mm	W7
9.5R36	230/95R36	A350	128A2	241mm	1345mm	625mm	4041mm	W8
11.2R36	270/95R36	A350	134A2	284mm	1410mm	654mm	4232mm	W10
12.4R36	320/85R36	A356	124A8	315mm	1450mm	677mm	4369mm	W11
13.6R36	340/85R36	A356	127A8	345mm	1500mm	697mm	4507mm	W12
11.2R38	270/95R38	A350	135A2	284mm	1456mm	680mm	438mm	W10
13.6R38	340/85R38	A356	128A8	345mm	1550mm	722mm	4664mm	W12
14.9R38	380/85R38	A356	133A8	378mm	1600mm	736mm	4777mm	W13
15.5R38	400/75R38	A356	134A8	394mm	1570mm	724mm	4695mm	W14
16.9R38	420/85R38	A356	141A8	429mm	1675mm	772mm	5007mm	W15
18.4R38	460/85R38	A356	146A8	467mm	1750mm	803mm	5217mm	W16
20.8R38	520/85R38	A356	153A8	528mm	1835mm	834mm	5438mm	W18
9.5R40	230/95R40	A350	130A2	241mm	1460mm	686mm	4417mm	W8
11.2R42	270/95R42	A350	137A2	284mm	1565mm	728mm	4705mm	W10
18.4R42	480/80R42	A356	148A8	467mm	1850mm	853mm	5532mm	W16
20.8R42	520/85R42	A356	155A8	528mm	1935mm	885mm	5757mm	W18
8.3R44	210/95R44	A350	124A2	211mm	1495mm	708mm	4545mm	W7
9.5R44	230/95R44	A350	132A2	241mm	1550mm	730mm	4696mm	W8
11.2R44	270/95R44	A350	138A2	284mm	1605mm	752mm	4847mm	W10
11.2R46	270/95R46	A350	139A2	284mm	1665mm	774mm	5004mm	W10
12.4R46	300/95R46	A350	143A2	315mm	1705mm	797mm	5142mm	W11
14.9R46	380/90R46	A350	142A8	378mm	1824mm	841mm	5454mm	W13
18.4R46	480/80R46	A356	155A8	467mm	1958mm	903mm	5856mm	W16
9.5R48	230/95R48	A350	134A2	241mm	1650mm	780mm	5010mm	W8
11.2R48	270/95R48	A350	140A2	284mm	1710mm	803mm	5171mm	W10
13.6R48	340/85R48	A350	146A2	345mm	1805mm	841mm	5432mm	W12
12.4R52	300/95R52	A350	146A2	310mm	1890mm	895mm	5745mm	W10
11.2R54	270/95R54	A350	157A2	275mm	1885mm	878mm	5672mm	W10

▶ BKT 80 SERIES

Size	Equivalent Marking	Pattern	Load Index	Section Width	Diam	Slr	R.c	Rec Rim Width
280/85R24	11.2R24	Agrimax RT 855	115A8	292	1086	492	3224	10
320/85R24	12.4R24	Agrimax RT 855	122A8	329	1154	518	3424	11
340/85R24	13.6R24	Agrimax RT 855	125A8	353	1188	531	3523	12
380/85R24	14.9R24	Agrimax RT 855	131A8	380	1256	554	3699	12
280/85R28	11.2R28	Agrimax RT 855	118A8	292	1187	542	3542	10
320/85R28	12.4R28	Agrimax RT 855	124A8	329	1255	569	3743	11
340/85R28	13.6R28	Agrimax RT 855	127A8	353	1289	582	3841	12
380/85R28	14.9R28	Agrimax RT 855	133A8	380	1357	606	4018	12
420/85R28	16.9R28	Agrimax RT 855	139A8	438	1425	636	4234	15
380/85R30	14.9R30	Agrimax RT 855	135A8	380	1408	629	4151	12
420/85R30	16.9R30	Agrimax RT 855	140A8	438	1475	661	4393	15
460/85R30	18.4R30	Agrimax RT 855	145A8	475	1544	682	4537	16
320/85R32	12.4R32	Agrimax RT 855	126A8	329	1357	621	4072	11
380/85R34	14.9R34	Agrimax RT 855	137A8	380	1509	682	4461	12
420/85R34	16.9R34	Agrimax RT 855	142A8	438	1578	709	4677	15
460/85R34	18.4R34	Agrimax RT 855	147A8	475	1646	733	4845	16
320/85R36	12.4R36	Agrimax RT 855	128A8	329	1458	671	4357	11
340/85R36	13.6R36	Agrimax RT 855	132A8	353	1492	687	4485	12
340/85R38	13.6R38	Agrimax RT 855	133A8	353	1543	712	4629	12
420/85R38	16.9R38	Agrimax RT 855	144A8	438	1679	763	4992	15
460/85R38	18.4R38	Agrimax RT 855	149A8	475	1747	785	5161	16
520/85R38	20.8R38	Agrimax RT 855	155A8	516	1849	818	5416	16
480/80R42	18.4R42	Agrimax RT 855	151A8	479	1835	835	5459	16
520/85R42	20.8R42	Agrimax RT 855	157A8	516	1951	868	5710	16
480/80R46	18.4R46	Agrimax RT 855	158A8	479	1936	885	5787	16

▶ KLEBER 80 SERIES

Size	Equivalent Marking	Pattern	Load Index	Section Width	Diam	Slr	R.c	Rec Rim Width
750R16		Super Vigne	100A8	200mm	796mm	357mm	2388mm	5.50
750R18		Super Vigne	102A8	200mm	854mm	396mm	2553mm	5.50
9.5R20		Super Vigne	108A8	245mm	938mm	431mm	2825mm	W8
11.2R20		Super Vigne	111A8	288mm	983mm	440mm	2918mm	W9
12.4R20	320/85R20	Traker	119A8	332mm	1047mm	472mm	3101mm	W11
14.9LR20		SupG	119A8	381mm	1088mm	489mm	3233mm	W13
8.3R24			106A8	210mm	984mm	454mm	2969mm	W7
9.5R24	250/85R24	Traker	109A8	248mm	1042mm	472mm	3101mm	W8
11.2R24	280/85R24	Traker	115A8	288mm	1100mm	493mm	3257mm	W10
12.4R24	320/85R24	Traker	122A8	324mm	1149mm	516mm	3400mm	W11
13.6R24	340/85R24	Traker	125A8	359mm	1188mm	529mm	3523mm	W12
14.9R24	380/85R24	Traker	131A8	390mm	1252mm	551mm	3703mm	W13
14.9R26		Sup8	127A8	371mm	1307mm	594mm	3917mm	W13
9.5R28	250/85R28	Traker	112A8	247mm	1142mm	520mm	3403mm	W8
11.2R28	280/85R28	Traker	118A8	297mm	1200mm	543mm	3571mm	W10
12.4R28	320/85R28	Traker	124A8	322mm	1253mm	562mm	3741mm	W11
13.6R28	340/85R28	Traker	127A8	363mm	1307mm	586mm	3882mm	W12
14.9R28	380/85R28	Traker	133A8	391mm	1360mm	607mm	4050mm	W13
16.9R28	420/85R28	Traker	139A8	448mm	1427mm	634mm	4228mm	DW15
14.9R30	380/85R30	Traker	135A8	396mm	1413mm	628mm	4228mm	W13
16.9R30	420/85R30	Traker	140A8	447mm	1474mm	657mm	4371mm	DW15
18.4R30	460/85R30	Traker	145A8	478mm	1547mm	681mm	4574mm	DW16
8.3R32	210/95R32	Sup3	114A8	213mm	1185mm	550mm	3548mm	W7
9.5R32	230/95R32	Sup3	126A8	245mm	1266mm	590mm	3794mm	W7
11.2R32	270/95R32	Sup3	134A8	298mm	1324mm	611mm	4013mm	W10
12.4R32	320/85R32	Traker	126A8	330mm	1356mm	615mm	4037mm	W11
24.5R32	650/75R32	Sup15	160A8	636mm	1803mm	795mm	5334mm	DW21
16.9R34	420/85R34	Traker	142A8	442mm	1581mm	708mm	4693mm	DW15
18.4R34	460/85R34	Traker	147A8	488mm	1659mm	737mm	4916mm	DW16
8.3R36	210/95R36	Sup3	116A8	207mm	1306mm	611mm	3916mm	W7
9.5R36	230/95R36	Sup3	128A8	244mm	1426mm	640mm	4123mm	W7
11.2R36	270/95R36	Sup3	137A8	294mm	1472mm	683mm	4405mm	W10
12.4R36	320/85R36	Traker	128A8	323mm	1461mm	667mm	4357mm	W11
13.6R36	340/85R36	Traker	132A8	354mm	1503mm	683mm	4478mm	W12
11.2R38	270/95R38	Sup3	138A8	294mm	1472mm	683mm	4405mm	W10
13.6R38	340/85R38	Traker	133A8	361mm	1563mm	714mm	4661mm	W12
16.9R38	420/85R38	Traker	144A8	445mm	1665mm	748mm	5208mm	DW15
18.4R38	460/85R38	Traker	149A8	488mm	1754mm	786mm	5208mm	DW16
20.8R38	520/85R38	Traker	155A8	541mm	1838mm	820mm	5452mm	DW18
7.3R40	180/95R40	Sup3	110A8	181mm	1370mm	647mm	4118mm	W6
9.5R40	200/95R40	Sup3	122A8	244mm	1460mm	694mm	4395mm	W8
20.8R42	520/85R42	Traker	157A8	557mm	1948mm	867mm	5776mm	DW18
8.3R44	210/95R44	Sup3	120A8	216mm	1534mm	723mm	4608mm	W7
9.5R44	230/95R44	Sup3	132A8	242mm	1538mm	734mm	4796mm	W8
11.2R44	270/95R44	Sup3	140A8	282mm	1634mm	760mm	4925mm	W9
12.4R46	300/95R46	Sup3	146A8	320mm	1741mm	806mm	5308mm	W10
9.5R48	230/95R48	Sup3	134A8	244mm	1672mm	790mm	5026mm	W8
11.2R48	270/95R48	Sup3	142A8	291mm	1730mm	810mm	5255mm	W8
12.4R52	300/95R52	Sup3	149A8	310mm	1889mm	879mm	5656mm	W10
11.2R54	270/95R54	Sup3	144A8	274mm	1908mm	894mm	5724mm	W8

TAURUS 80 SERIES

Size	Equivalent Marking	Pattern	Load Index	Section Width	Diam	Slr	R.c	Rec Rim Width
11.2R20		Point 8	111A8	284mm	995mm	454mm	2917mm	W10
8.3R24		Point 8	104A8	211mm	987mm	454mm	2968mm	W7
9.5R24	250/80R24	Point 8	107A8	241mm	1040mm	468mm	3160mm	W8
11.2R24	280/85R24	Point 8	114A8	284mm	1095mm	497mm	3222mm	W10
12.4R24	320/85R24	Point 8	119A8	315mm	1145mm	513mm	3473mm	W11
13.6R24	340/85R24	Point 8	121A8	345mm	1190mm	535mm	3578mm	W12
14.9R24	380/85R24	Point 8	126A8	378mm	1245mm	560mm	3710mm	W13
16.9R24	420/85R24	Point 8	134A8	429mm	1320mm	588mm	3882mm	W15
9.5R28	230/95R28	Point 8	109A8	241mm	1140mm	521mm	3457mm	W8
11.2R28	280/85R28	Point 8	116A8	284mm	1200mm	554mm	3627mm	W10
12.4R28	320/85R28	Point 8	121A8	315mm	1250mm	573mm	3770mm	W11
13.6R28	340/85R28	Point 8	123A8	345mm	1295mm	579mm	3817mm	W12
14.9R28	380/85R28	Point 8	128A8	378mm	1350mm	603mm	3999mm	W13
16.9R28	420/85R28	Point 8	136A8	429mm	1420mm	628mm	4240mm	W15
14.9R30	380/85R30	Point 8	129A8	378mm	1400mm	634mm	4185mm	W13
16.9R30	420/85R30	Point 8	137A8	429mm	1475mm	655mm	4343mm	W15
18.4R30	460/85R30	Point 8	142A8	467mm	1545mm	676mm	4613mm	W16
9.5R32	230/95R32	SoilRC95	115A8	228mm	1251mm	580mm	3762mm	W8
11.2R32	270/95R32	SoilRC95	128A8	275mm	1327mm	612mm	4016mm	W10
12.4R32	320/85R32	Point 8	122A8	315mm	1350mm	610mm	4016mm	W11
16.9R34	420/85R34	Point 8	139A8	429mm	1575mm	706mm	4672mm	W15

Size	Equivalent Marking	Pattern	Load Index	Section Width	Diam	Slr	R.c	Rec Rim Width
18.4R34	460/85R34	Point 8	144A8	467mm	1645mm	740mm	4890mm	W16
12.4R36	320/85R36	Point 8	124A8	315mm	1450mm	669mm	4375mm	W11
8.3R36	210/95R36	SoilRC95	115A8	214mm	1314mm	603mm	3950mm	W7
9.5R36	230/95R36	SoilRC95	130A8	228mm	1352mm	630mm	4151mm	W8
11.2R36	270/95R36	SoilRC95	138A8	275mm	1428mm	655mm	4320mm	W10
13.6R36	340/85R36	Point 8	127A8	345mm	1500mm	685mm	4473mm	W12
11.2R38	270/95R38	SoilRC95	139A8	275mm	1479mm	682mm	4510mm	W10
13.6R38	340/85R38	Point 8	128A8	345mm	1550mm	710mm	4646mm	W12
14.9R38	380/85R38	Point 8	133A8	378mm	1600mm	725mm	4811mm	W13
16.9R38	420/85R38	Point 8	141A8	429mm	1675mm	756mm	5030mm	W15
18.4R38	460/85R38	Point 8	146A8	467mm	1750mm	783mm	5205mm	W16
20.8R38	520/85R38	Point 8	153A8	528mm	1835mm	820mm	5456mm	W18
11.2R42	270/95R42	SoilRC95	140A8	275mm	1581mm	732mm	4779mm	W10
20.8R42	520/85R42	Point 8	155A8	528mm	1935mm	867mm	5755mm	W18
9.5R44	230/95R44	SoilRC95	134A8	228mm	1556mm	736mm	4772mm	W8
11.2R44	270/95R44	SoilRC95	140A8	275mm	1632mm	753mm	4943mm	W10
11.2R46	270/95R46	SoilRC95	142A8	275mm	1682mm	783mm	5115mm	W10
12.4R46	300/95R46	SoilRC95	147A8	295mm	1738mm	815mm	5315mm	W11
9.5R48	230/95R48	SoilRC95	136A8	228mm	1675mm	788mm	5111mm	W8
11.2R48	270/95R48	SoilRC95	142A8	275mm	1733mm	810mm	5279mm	W10
13.6R48	340/85R48	SoilRC95	151A8	343mm	1797mm	824mm	5424mm	W12

All dimensions are a guide only and apply to no particular specific brand. Ask the sales office for confirmation.

Size	Width	O/D	Size	Width	O/D	Size	Width	O/D	Size	Width	O/D
12.4R32	315	1355	11.5/80-15.3 BKT	297	844	365/70R18 Conti	375	978	19.5L24	495	1314
8/300-4	68	208	12.5/80-15.3	312	885	355/60R18	352	890	21L24	533	1377
9/350-4	82	221	280/70-18	260	730	260/70R18	260	860	15.5/80-24	394	1269
13/500-6	116	314	400/60-15.5 BKT	405	875	280/70R18 Kleber	267	858	520/50-24	516	1135
13/650-6	147	325	315/75D15	316	853	320/65R18 Mich	311	883	460/65R24 Mich	420	1190
14/500-6	135	350	11.5/80-15 B/Stone	316	850	340/65R18 Mich	323	918	480/65R24	451	1248
15/600-6	155	366	212/80D15	212	721	275/80R18 Mich	280	906	320/70R24 T	320	1092
350x8	89	368	7.5L15	205	744	335/80R18	339	993	360/70R24 T	357	1142
400x8	129	419	9.5L15	241	767	335/65R18	339	893	380/70R24 T	380	1180
16/650x8	148	406	11L15	272	770	340/65R18 Mich	323	918	405/70-24	407	1178
18/650x8	148	472	12.5L15	301	820	250/80-18	240	879	420/65R24 Mich	395	1160
18/708	170	457	12.5L15(13Lug)	301	845	400-19 3Rb	115	715	540/65R24	520	1314
18/850x8	213	472	14.0/65-15 FG	357	856	600-19 3Rb	161	815	420/70R24	506	1256
18/950x8	230	472	550-16	155	708	15-19.5 Indust	400	1035	445/70R24	460	1242
20/100-8	239	500	600-16 AG	161	741	18-19.5	457	1080	495/70R24	493	1313
18/980-8 Slick	223	433	650-16 AG	170	749	600-20HT	182	848	11.25-24	320	1221
17/800-8	205	448	750-16 AG	204	796	650-20HT	184	878	1200-24 Sumo	320	1275
190-8	185	415	825-16 AG	212	820	700-20HT	199	904	1300-24 BKT	351	1301
400-9	113	457	900-16 AG	250	850	750-20HT	210	944	1400-24 Perlas	375	1360
600-9	176	535	10.5/65-16	275	755	825-20HT	234	970	1600-24 Alliance	477	1463
400-10	115	468	10.00-16 3Rb	275	900	900-20HT	256	1012	1400-25 BKT	388	1414
750-10	214	634	11.00-16 3Rb	320	970	1000-20HT	275	1050	1600-25 MRF	440	1524
900-10	231	676	10.00-16	274	945	1100-20HT	291	1080	1800-25 Nokio/Slick	520	1592
18/8.50-10 Indust	205	465	280-85-16	285	870	1200-20HT	312	1120	15.5-25	399	1275
19/8/10	210	485	7-16	170	738	1400-20HT	374	1253	17.5-25	452	1353
20/8/10	193	495	8-16	197	785	750-20	205	915	20.5-25 MRF	521	1493
20/10/10	245	505	9.5-16	248	845	8.3-20	211	895	23.5-25 MRF	549	1617
26.5/14-12	360	673	8-16 Diamond	210	805	9.5-20	241	945	26.5-25	728	1724
5-12	125	550	9.5-16 Diamond	242	795	10.5-20	292	977	29.5-25 MRF	750	2025
5.00-12	133	581	13.16-16 Diamond	341	982	11.2-20 Bstone	254	1002	2100-25	599	1765
6.00-12	157	636	9.0/75-16	229	774	12.5-20	325	1040	13.6-26	346	1260
6-12	158	600	11.2-16	300	900	12.5L20 SL	300	930	14.9-26	392	1297
6-12 Diamond	155	564	12.4-16	318	955	13.5-20	353	1081	18.4-26 BKT	467	1475
7-12	170	610	11L-16 BKT	270	795	14.5-20	383	1124	23.1-26 BKT	590	1568
700-12	200	667	11L1R16	280	840	355/80D20	353	1076	14.9R26	371	1307
11x65-12	281	692	12.5L16 BKT	310	845	475/65D20	464	1126	16.9R26	430	1375
10/75-12	264	685	12.5/70-16	322	854	14.9-20	393	1165	540/65R26	530	1362
10/80-12 BKT	264	710	13.0/55-16	336	770	38/18.00-20	355	1031	480/70R26 Kleber	480	1382
23/850-12 Turf	213	578	13.0/75-16	336	900	42/17-20	431	1077	520/70R26 Kleber	516	1454
23/8.50-12 Indust	215	585	14.0/65-16	353	870	17.5/65-20	452	1090	580/70R26	580	1446
23/10.50-12 Turf	264	579	13.6-16	351	982	16/70-20 BKT	418	1075	620/70R26 Mich	629	1500
24/850-12	216	602	13.50-16.1 M/Rib	342	1036	20/70-50B(20)	478	1220	620/75R26	625	1590
26/12/12 Indust	305	660	14L-16.1 M/Rib	365	975	22/70-20	560	1300	750/65R26	750	1636
400-12	113	533	16.5L16.1	407	1041	260/70R20	258	877	400/60-26.5	400	1160
24/13-12 M/Troc	330	589	18.4L16.1	468	1108	280/70R20 Kleber	275	910	500/60-26.5	500	1260
24/12/12	292	599	21.5L16.1	530	1203	300/70R20 T	295	943	600/55-26.5	600	1350
900x13	236	780	315/80D16	316	910	320/70R20 T	319	984	700/50-26.5	700	1350
5x14	128	605	700-16 Sumo	200	780	360/70R20 T	357	1042	800/40-26.5	800	1350
6x14	155	653	750-16 Sumo	215	815	380/70R20	482	1078	23.1-26LS2	596	1630
600-14 Sumo	170	680	825-16LT	230	860	340/75R20	333	1045	28L26LS2	701	1658
7x14	170	687	900-16LT	252	900	9.5R20 Kleber	240	940	9.5R28	236	1130
6-14 Diamond	155	609	315/55R16	315	750	11.2R20 Kleber	285	985	11.2-28 BKT	284	1205
7-14 Diamond	175	660	210/80R16 Taurus	205	742	12.4R20 Kleber	310	1054	12.4-28 BKT	315	1245
8.5L-14 Impl	218	726	200/70R16	197	686	14.9R20 Kleber	380	1076	13.6-28 BKT	345	1310
9.5L-14 Impl	248	741	240/70R16	244	742	375/70R20 Conti	385	1034	14.9-28 BKT	378	1365
11L-14 Impl	272	744	260/70R16 Kleber	258	775	405/70R20 Conti	426	1065	16.9-28 BKT	429	1435
24/850-14	216	602	275/65R16 XP27	265	775	405/70-20 Mittas	407	1076	18.4-28	467	1477
25/850-14	216	635	280/70R16	276	805	420/65R20	418	1054	420/65R28 Mich	392	1263
200/60-14.5	216	615	285/80R16 Conti	278	870	275/80R20	278	948	540/65R28 Mich	520	1420
400-15 3RIB	116	624	320/65R16 Mich	309	844	365/80R20	339	1032	480/65R28	451	1360
500-15 Tractor	139	660	31X15.5X16.5 Indust	394	838	365/80R20	378	1089	440/65R28	441	1283
590-15 Titan M/Rib	147	660	10x16.5 Indust	246	775	375/75R20 Mich	385	1060	360/70R28 T	357	1290
12x16.5 Titan M/Rib	177	718	12x16.5 Indust	324	850	425/75R20 Mich	440	1152	380/70R28 T	380	1290
760-15 M/Rib	200	723	15.0-55-17 AW	391	850						

# TRS Trade Information

## › GENERAL TRADING TERMS

The terms and conditions of trade form part of each transaction between TRS and yourself as our customer and imply agreement with when entering into any transaction with TRS. These terms and conditions are supplied with every credit application. If you do not have a copy please contact David Clutterbuck on 0508 899 899 or by email davidc@trstyreandwheel.co.nz.

## › GOODS RETURN POLICY

TRS may accept goods for return at its discretion. Goods returned at the request of the customer will incur a freight and handling surcharge of 6% of the invoice value or 10% of the invoice value if TRS arrange and pay for the return freight.

## › FREIGHT POLICY

In line with the TRS policy of free delivery on all goods, prices published in the TRS catalogue include freight in most instances. There are some exceptions such as:

- Orders of less than 3 inner tubes
- Orders of less than \$50.00 in value
- Export orders
- Deliveries to rural addresses
- Urgent or unusual delivery instructions at the request of the customer

If unsure if a delivery charge will apply, please ask our sales staff.

## › WARRANTY CONDITIONS

All TRS distributed product is warranted against manufacturing defects for the period of time as specified by the manufacturer. TRS can advise the period of warranty for any brand distributed by TRS.

The manufacturers of brands represented by TRS each have specific warranty processes that TRS are obligated to follow to ensure the timely settlement of all warranty claims. The time take to complete this process varies greatly between manufacturers from a matter of two to three weeks to two to three months.

Manufacturers will only consider warranty claims against construction faults resulting in a premature failure in the item. However, if an item has been in service for a length of time and then fails, provided that the item has been used for the purpose it was designed for, and not misused, the manufacturer will usually agree to a Pro Rata payment. This Pro Rata payment is based on the percentage of tread remaining on the tyre.

Manufacturers will not entertain claims for items that have been the subject of the client's own negligence or as the result of external causes. Examples of these factors are punctures, impact ruptures, mounting ruptures/bead damage and repairs. They will reject claims for irregular wear, rapid wear, or as a consequence of improper treatment/care, such as operating in an under inflated condition and or excessive loads or badly adjusted vehicle geometry.

Every claim application must be accompanied by a Warranty Examination Form returned to TRS as soon as possible after the tyre failure. Once the completed Examination Form is returned to TRS, we will assess the claim in the first instance, and if required, will make arrangements to have the item returned to TRS for closer inspection.

Once the assessment and or inspection have been completed, we will make a recommendation to the manufacturer and await their decision. Once that decision is made available to us, we will relay the details to the dealer.

## › FOR FURTHER INFORMATION

If you have a Warranty issue, please phone Mike Flood

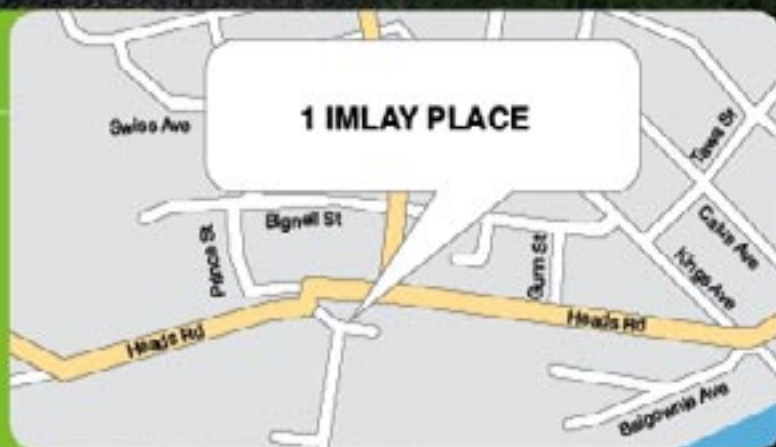
Ph (06) 349 1537

Fax (06) 344 3769

or E-mail warranty@trstyreandwheel.co.nz.

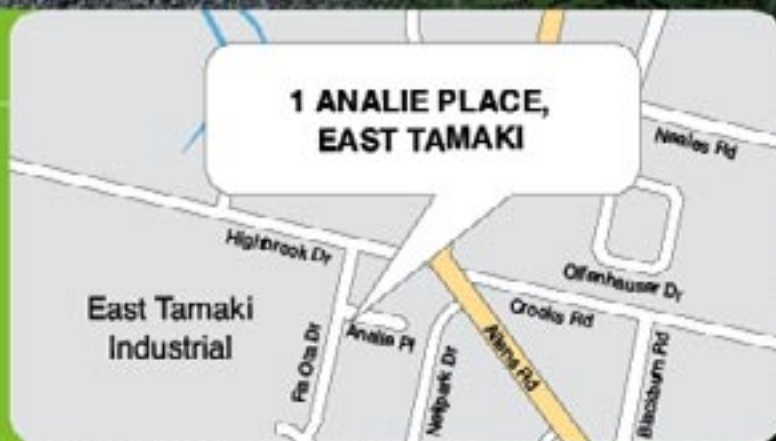
### HEAD OFFICE

1 Imlay Place, Wanganui  
Phone: 06 344 6385  
Fax: 06 344 3769



### AUCKLAND

1 Analie Place, East Tamaki  
Phone: 09 273 4693  
Fax: 09 273 4697



### CHRISTCHURCH

44 Dakota Crescent  
Phone: 03 348 7245  
Fax: 03 348 7255



[sales@trstyreandwheel.co.nz](mailto:sales@trstyreandwheel.co.nz)

SALES  
HOTLINE



**0508 899 899**

visit our website [www.trstyreandwheel.co.nz](http://www.trstyreandwheel.co.nz)

**TRS**  
TYRE & WHEEL LIMITED